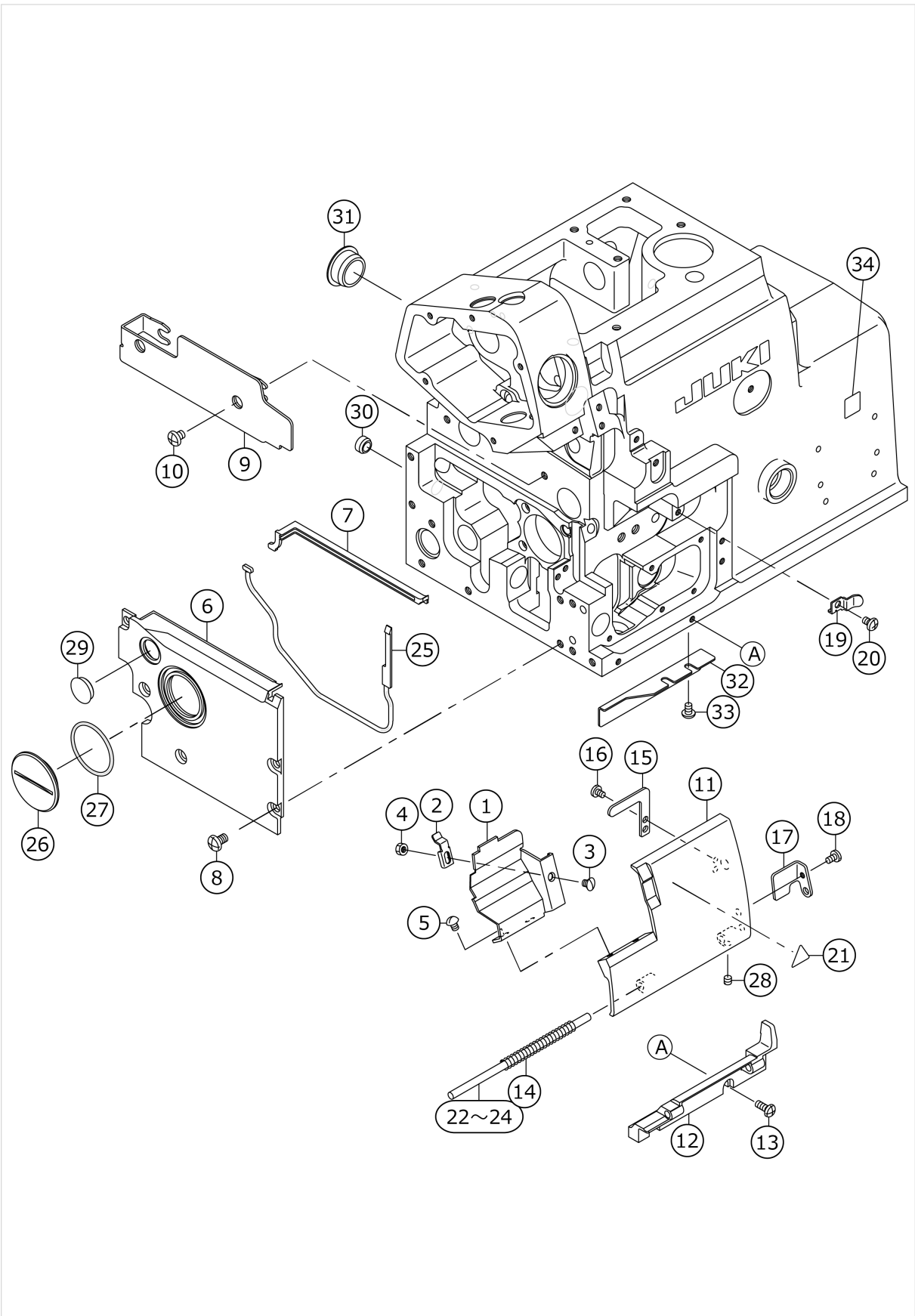


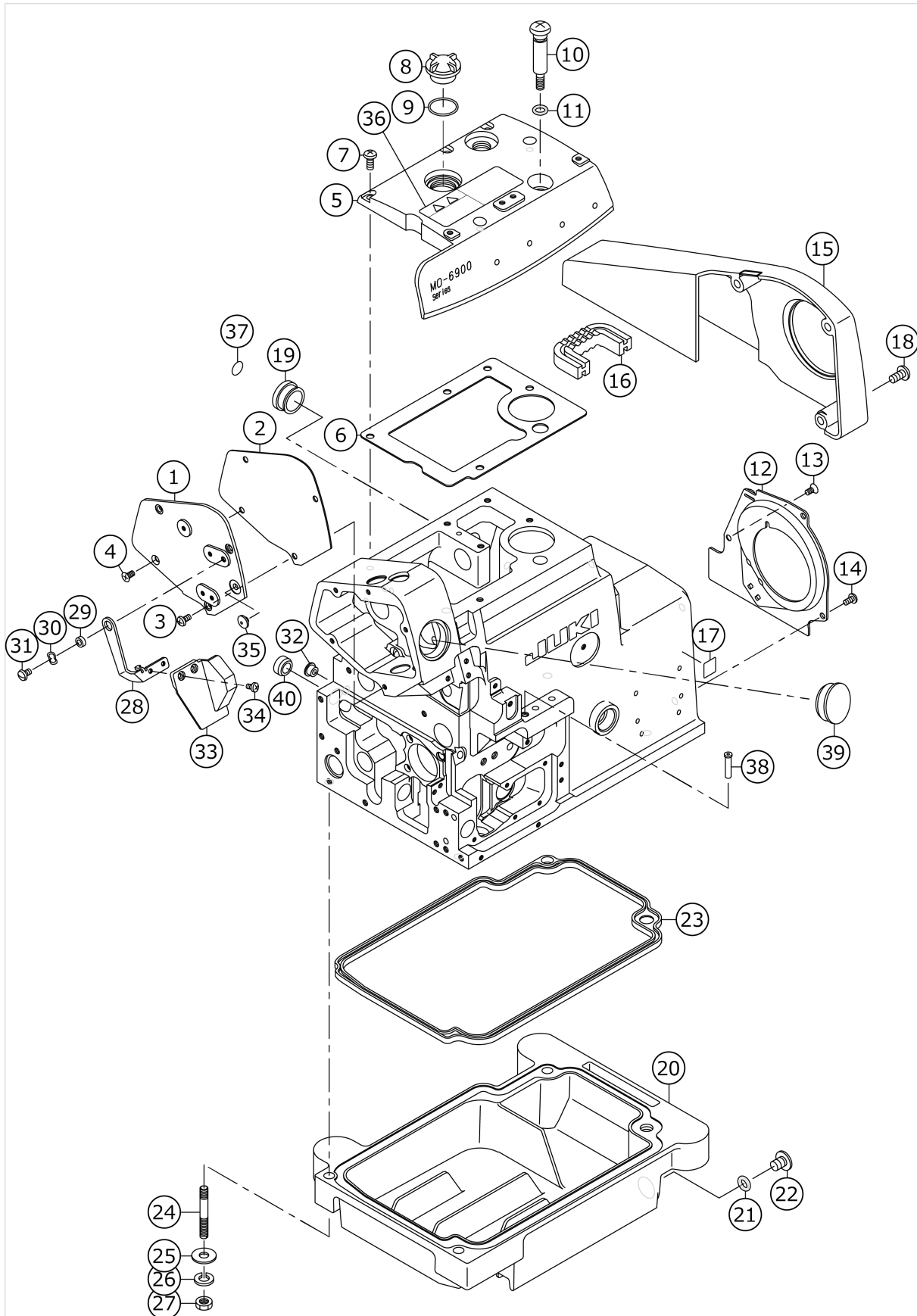
MO-6904C-0E6/MO-6914C-BE6

MISCELLANEOUS COVER COMPONENTS (1)



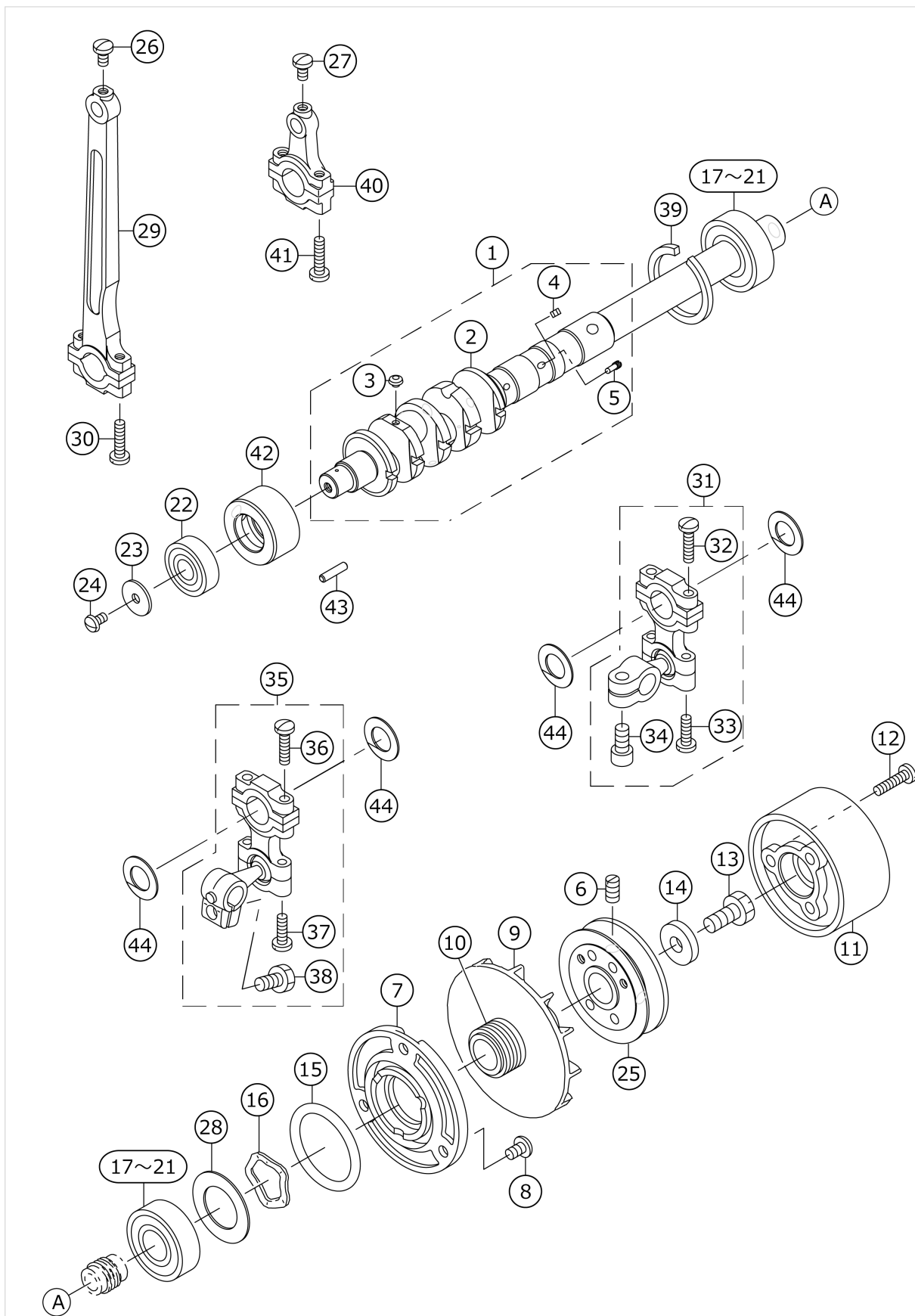
No.	品番	品名	備考	子部品	消耗品	個数
1	12229100	CHIP GUARD COVER				1.00
2	13102405	CROTH WASTE COVER STOPPER				1.00
3	SS2090520SL	SCREW 9/64-40 L=5				1.00
4	NS6090310SN	NUT 9/64-40				1.00
5	SS3090610SP	SCREW 9/64-40 L=6				2.00
6	13285903	FEED MECHANISM COVER				1.00
7	13280201	FEED MECHANISM COVER GASKET A				1.00
8	SM4050855SP	SCREW				5.00
9	31250657	SIDE COVER ASM.				1.00
10	SS4120615SP	SCREW 3/16-28 L=6				2.00
11	31250806	LOOPER COVER				1.00
12	31250707	LOOPER COVER BRACKET				1.00
13	SM4041055SP	SCREW				2.00
14	13101209	LOOPER COVER SPRING				1.00
15	13101407	LOOPER COVER PRESSER PLATE				1.00
16	SS7090530SP	SCREW 9/64-40 L=4.5				1.00
17	13101001	LOOPER COVER GUIDE PLATE				1.00
18	SS7090610SP	SCREW 9/64-40 L=6				1.00
19	13101308	LOOPER COVER PRESSER SPRING				1.00
20	SM4040655SP	SCREW M4 L=6				1.00
21	CM300200001	ATTENTION SEAL				1.00
22	13240007	LOOPER COVER HINGE SHAFT A	SELECTIVE PARTS			1.00
23	13240106	LOOPER COVER HINGE SHAFT B	SELECTIVE PARTS			1.00
24	13240205	LOOPER COVER HINGE SHAFT C	SELECTIVE PARTS			1.00
25	12200408	GASKET B				1.00
26	12200507	COVER				1.00
27	RO315200100	RUBBER RING				1.00
28	SS8110410TP	SCREW 11/64-40 L=3.5				1.00
29	TA1450404R0	RUBBER PLUG D=14.5 L=4				1.00
30	TA0980502R0	RUBBER PLUG				2.00
31	TA2100904R0	RUBBER PLUG				1.00
32	40011552	OIL SHIELD PLATE				1.00
33	SM4040655SP	SCREW M4 L=6				2.00
34	40150131	EAC_MARK_LABEL_S	FOR JE			1.00

MISCELLANEOUS COVER COMPONENTS (2)



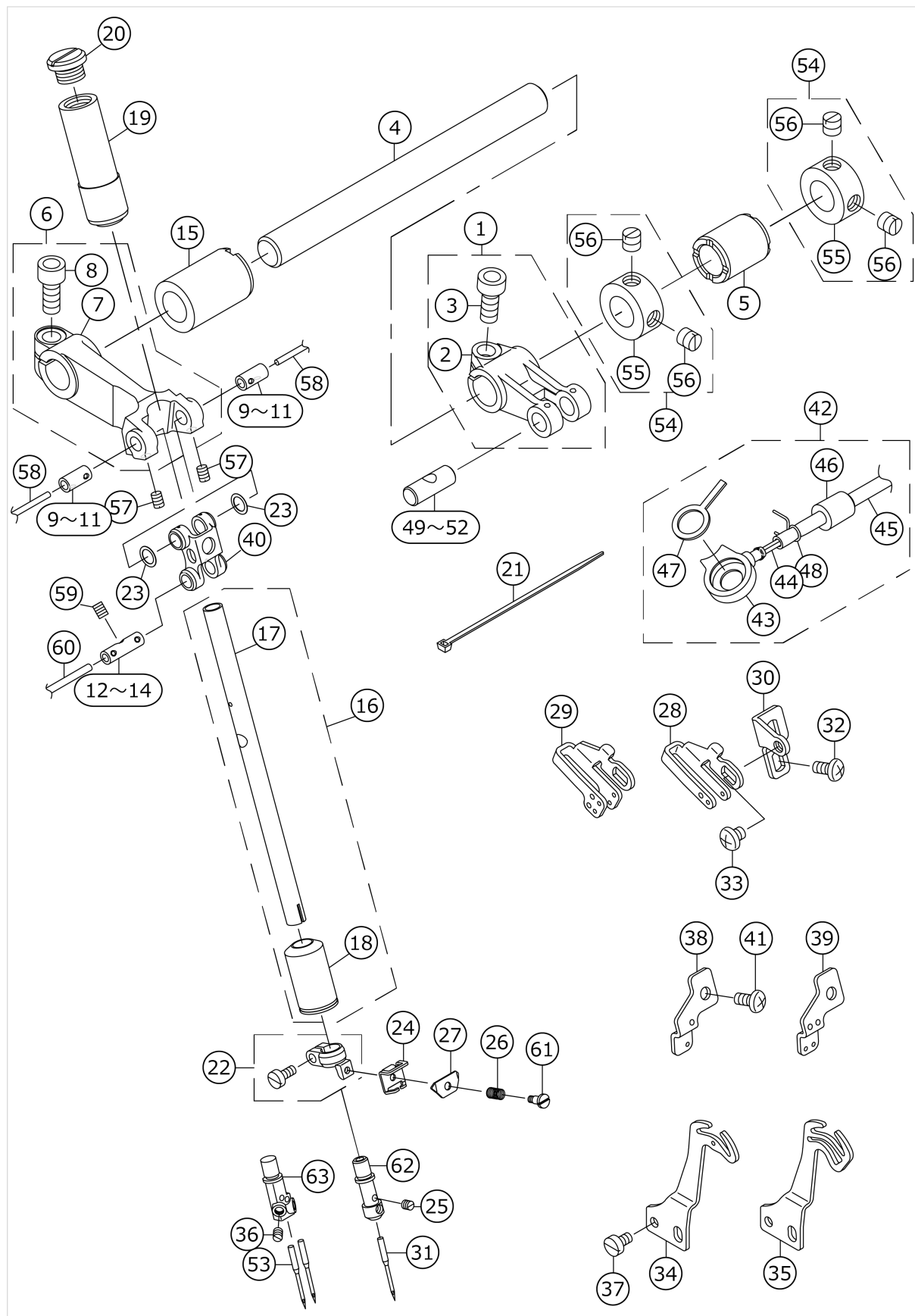
No.	品番	品名	備考	子部品	消耗品	個数
1	13200209	SIDE COVER				1.00
2	13200308	SIDE COVER GASKET				1.00
3	SM4040855SP	SCREW				3.00
4	SM1040801SC	SCREW M4X0.7 L=8				1.00
5	13200407	UPPER COVER				1.00
6	13200605	UPPER COVER GASKET				1.00
7	SM4051255SP	SCREW M5 L=12				5.00
8	22924708	OIL SIGHT WINDOW				1.00
9	13170006	RUBBER RING				1.00
10	13104500	OIL DRAIN SCREW				1.00
11	13170204	RUBBER RING				1.00
12	13201009	COOLING FAN PLATE				1.00
13	SM1040801SC	SCREW M4X0.7 L=8				1.00
14	SM4040855SP	SCREW				2.00
15	40037392	BELT COVER C				1.00
16	40040065	VIBRATION PROOF RUBBER				1.00
17	CM600100101	WEEE MARK LABEL S	FOR JE			1.00
18	SS4151215SP	SCREW 15/64-28 L=12				3.00
19	TA2050805R0	RUBBER PLUG				1.00
20	12201117	OIL RESERVOIR				1.00
21	RO074240100	RUBBER RING				1.00
22	SM0081001SD	SCREW				1.00
23	12201208	OIL RESERVOIR GASKET				1.00
24	13103908	SCREW STUD				4.00
25	WP0751576SD	WASHER 7.5X19X1.5				4.00
26	WS0822010KP	SPRING WASHER 8.2X15X2				4.00
27	NS6680410SP	NUT 9/32-28				4.00
28	13201108	SAFETY PLATE BRACKET				1.00
29	13104807	SAFETY PLATE BRACKET COLLAR				1.00
30	WZ0850302K0	WAVED WASHER 8.5X12.5X0.3				1.00
31	SS5110710SP	SCREW 11/64-40 L=7				1.00
32	TA0800504R0	PLUG D=8 L=4.5				1.00
33	13201207	SAFETY PLATE				1.00
34	SS7090611SL	SCREW 9/64-40 L=6.1				2.00
35	13204003	SAFETY PLATE BUSH				1.00
36	CM301300001	SAFETY LABEL				1.00
37	22901805	GROUND MARK				1.00
38	13102900	THREAD GUIDE LARGE				2.00
39	10753309	WINDOW PLATE RUBBER PLUG				1.00
40	TA1470702R0	RUBBER PLUG				1.00

CRANKSHAFT COMPONENTS



No.	品番	品名	備考	子部品	消耗品	個数
1	40023373	MAIN SHAFT ASM.				1.00
2	40023372	MAIN SHAFT		*		1.00
3	SS5080212TP	SCREW 1/8-44 L=2		*		5.00
4	SS8080410TP	SCREW 1/8-44 L=3.5		*		1.00
5	31251804	OIL ADJUSTING SCREW		*		1.00
6	SS8151150TP	SCREW 15/64-28 L=10.5				2.00
7	12271706	THRUST HOLDER				1.00
8	SM4050855SP	SCREW M5 L=8				3.00
9	13108402	COOLING FAN				1.00
10	12280103	OIL SHIELD				1.00
11	31251507	FLYWHEEL C				1.00
12	SS7111810TP	SCREW 11/64-40 L=18				3.00
13	SS9681610TP	SCREW 9/32-28 L=16				1.00
14	WP0764016SP	WASHER				1.00
15	13170303	RUBBER RING				1.00
16	WZ2640310KH	WAVED WASHER 26.4X33.9X3.5				1.00
17	40017703	BEARING A	SELECTIVE PARTS			2.00
18	40017704	BEARING B	SELECTIVE PARTS			2.00
19	40017705	BEARING C	SELECTIVE PARTS			2.00
20	40017706	BEARING D	SELECTIVE PARTS			2.00
21	40017707	BEARING E	SELECTIVE PARTS			2.00
22	12204202	CRANKSHAFT BALL BEARING D				1.00
23	12204004	THRUST HOLDER				1.00
24	SS5110740TP	SCREW 11/64-40 L=6.5				1.00
25	13107602	HANDWHEEL (A)				1.00
26	SS7110840SP	SCREW 11/64-40 L=7.8				1.00
27	SS7110840SP	SCREW 11/64-40 L=7.8				1.00
28	13108303	BEARING HOLDING PLATE				1.00
29	12109104	CONNECTING ROD				1.00
30	SS7111810TP	SCREW 11/64-40 L=18				2.00
31	12122362	UPPER LOOPER ROD ASM.				1.00
32	SS7111810TP	SCREW 11/64-40 L=18		*		2.00
33	SS7111410TP	SCREW 11/64-40 L=14		*		2.00
34	SM6061202TP	SCREW M6 L=12		*		1.00
35	12215158	LOWER LOOPER ROD ASM. A				1.00
36	SS7111810TP	SCREW 11/64-40 L=18		*		2.00
37	SS7111410TP	SCREW 11/64-40 L=14		*		2.00
38	SS9151210TP	SCREW 15/64-28 L=11.8		*		1.00
39	B1212704000	BEARING RETAINER				1.00
40	12132106	KNIFE DRIVING ROD ASM.				1.00
41	SS7111810TP	SCREW 11/64-40 L=18				2.00
42	40012383	CRANKSHAFT BUSHING C				1.00
43	13281407	OIL ADJUSTING BAR				1.00
44	40017824	LOOPER LOD STOPPER				4.00

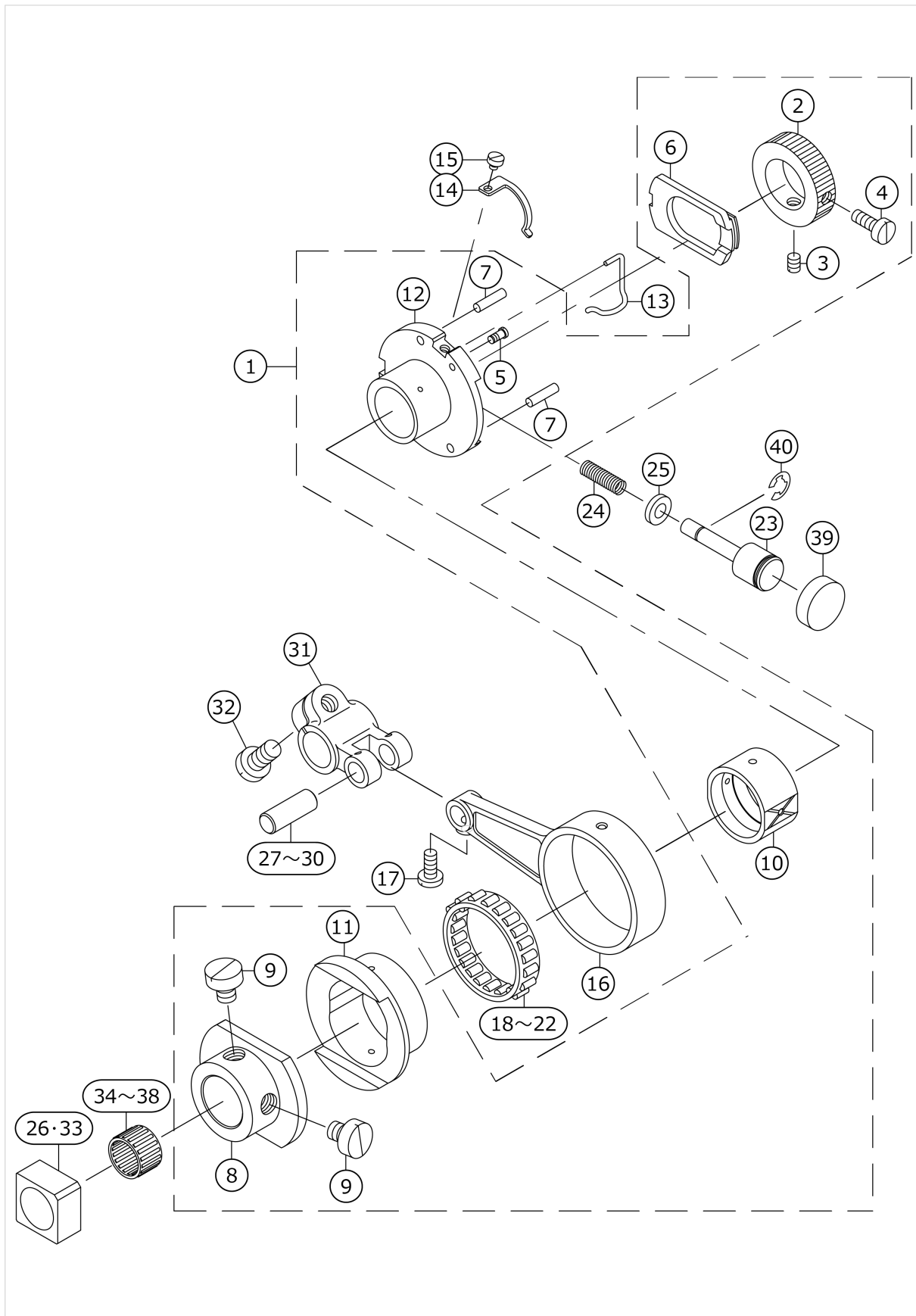
NEEDLE DRIVING SHAFT COMPONENTS



No.	品番	品名	備考	子部品	消耗品	個数
1	13110556	FEED FORKED CRANK ASM.				1.00
2	13110507	NEEDLE DRIVING BRANCH CRANK		*		1.00
3	SM6061402TP	SCREW M6 L=14		*		1.00
4	13110606	NEEDLE DRIVING SHAFT				1.00
5	12280301	BUSHING REAR				1.00
6	13209853	NEEDLE DRIVING ARM ASM.				1.00
7	13209804	NEEDLE DRIVING ARM		*		1.00
8	SM6061402TP	SCREW M6 L=14		*		1.00
9	13209101	NEEDLE DRIVING ARM PIN A	SELECTIVE PARTS			2.00
10	13209200	NEEDLE DRIVING ARM PIN B	SELECTIVE PARTS			2.00
11	13209309	NEEDLE DRIVING ARM PIN C	SELECTIVE PARTS			2.00
12	13209408	NEEDLE DRIVING PIN A	SELECTIVE PARTS			1.00
13	13209507	NEEDLE DRIVING PIN B	SELECTIVE PARTS			1.00
14	13209606	NEEDLE DRIVING PIN C	SELECTIVE PARTS			1.00
15	13110002	BUSHING REAR				1.00
16	13208350	NEEDLE ROD (A) ASM.				1.00
17	13208301	NEEDLE ROD (A)		*		1.00
18	13207709	NEEDLE ROD BUSHING LOWER		*		1.00
19	13209705	NEEDLE ROD BUSHING UPPER				1.00
20	13207808	NEEDLE ROD BUSHING CAP SCREW				1.00
21	EA9500B0100	CABLE BAND				1.00
22	13110259	NEEDLE CLAMP HOLDER ASM.				1.00
23	13208103	NEEDLE DRIVING LINK WASHER				2.00
24	12280905	NEEDLE THREAD PRESSER GUIDE A				1.00
25	SS8080310TP	SCREW 1/8-44 L=2.8	FOR MO-6904C			1.00
26	13110903	NEEDLE THREAD PRESSER SPRING				1.00
27	13111000	NEEDLE THREAD PRESSER PLATE A				1.00
28	13208806	NEEDLE THREAD GUIDE	FOR MO-6904C			1.00
29	13208905	THREAD GUIDE 2-NEEDLE	FOR MO-6914C			1.00
30	13208707	NEEDLE THREAD GUIDE BASE				1.00
31	MDC270B1100	NEEDLE DCX27 #11	FOR MO-6904C			1.00
32	SM4040855SP	SCREW				2.00
33	SS4110515SP	SCREW 11/64-40 L=5				1.00
34	13111208	NEEDLE THREAD TAKE-UP LEVER	FOR MO-6904C			1.00
35	13111307	TAKE-UP LEVER 2-NEEDLE	FOR MO-6914C			1.00
36	SS8080310TP	SCREW 1/8-44 L=2.8	FOR MO-6914C			2.00
37	SS6090670TP	SCREW 9/64-40 L=6				2.00
38	12281705	TAKE-UP LEVER GUIDE	FOR MO-6904C			1.00
39	12281804	TAKE-UP LEVER GUIDE 2-NEEDLE	FOR MO-6914C			1.00
40	13208004	NEEDLE DRIVING LINK				1.00
41	SM4040855SP	SCREW				1.00
42	13282454	ONCE THROUGH OIL PIPE ASM.				1.00
43	13208509	ONCE THROUGH OIL COVER		*		1.00
44	CQ200000000	OIL WICK		*		1.02

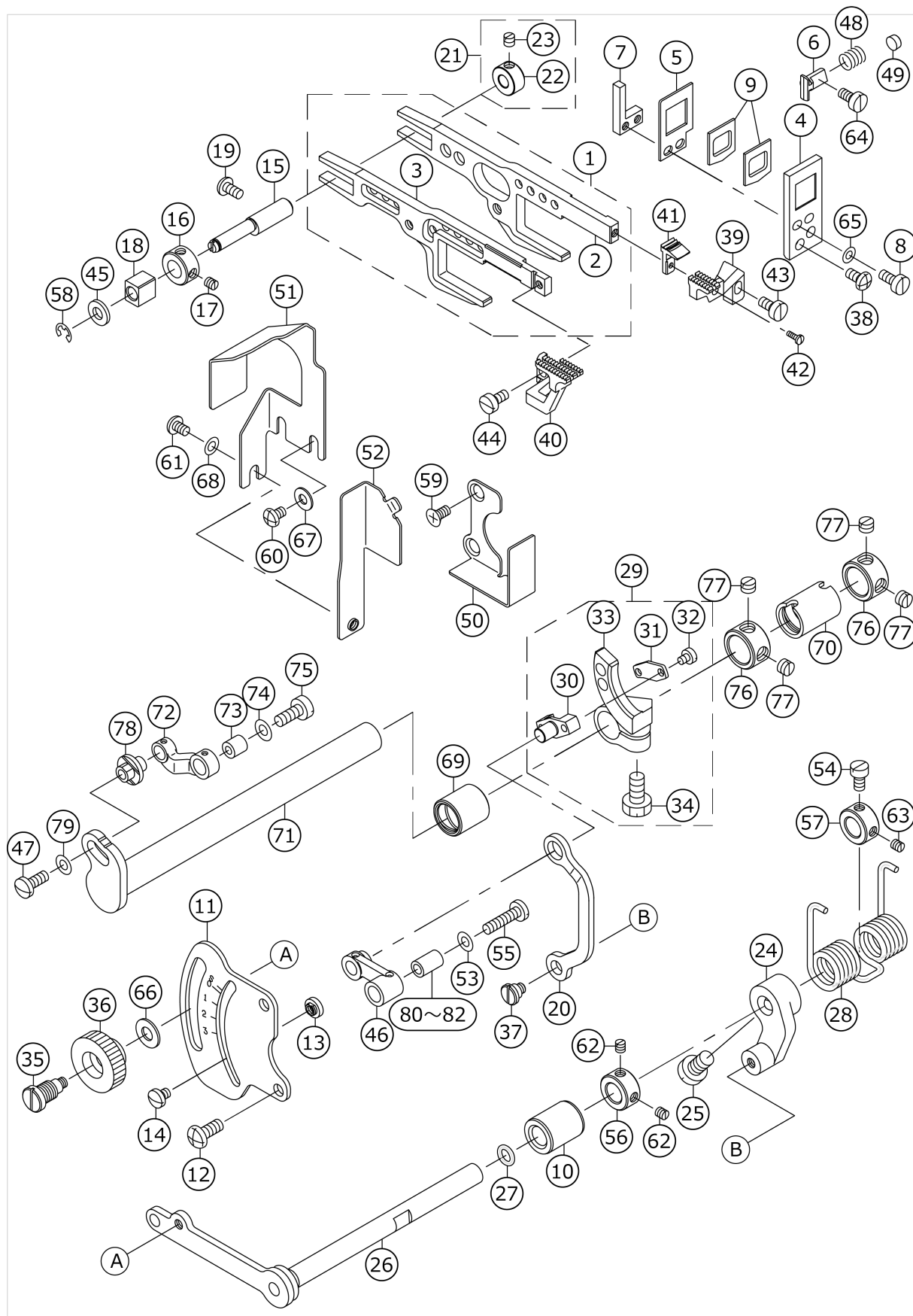
45	23630007	TUBE		*		0.50
46	13244009	ONCE THROUGH OIL PIPE BUSHING		*		1.00
47	13208608	ONCE THROUGH OIL FELT		*		1.00
48	13142609	PIPE CLAMP		*		1.00
49	13122007	FEED BRANCH CRANK PIN A	SELECTIVE PARTS			1.00
50	13122106	FEED BRANCH CRANK PIN B	SELECTIVE PARTS			1.00
51	13122205	FEED BRANCH CRANK PIN C	SELECTIVE PARTS			1.00
52	13122304	FEED BRANCH CRANK PIN D	SELECTIVE PARTS			1.00
53	MDC270B1100	NEEDLE DCX27 #11	FOR MO-6914C			2.00
54	13172754	THRUST COLLAR ASM.				2.00
55	13172705	THRUST COLLAR		*		1.00
56	SS8660610TP	SCREW 1/4-40 L=6		*		2.00
57	SS8090530TP	SCREW 9/64-40 L=5.0				2.00
58	CQ202000000	OIL WICK				0.09
59	SS8090530TP	SCREW 9/64-40 L=5.0				1.00
60	CQ252000000	OIL WICK				0.04
61	SD0280401SL	HINGE SCREW D=2.8 H=4				1.00
62	13175005	NEEDLE CLAMP 1-NEEDLE	FOR MO-6904C			1.00
63	13175203	NEEDLE CLAMP 2-NEEDLE	FOR MO-6914C			1.00

FEED MECHANISM COMPONENTS (1)



No.	品番	品名	備考	子部品	消耗品	個数
1	12208153	FEED CAM SUPPORT BASE				1.00
2	12208708	RATCHET GEAR		*		1.00
3	SS8110520TP	SCREW 11/64-40 L=4.5		*		1.00
4	SS6111110SP	SCREW 11/64-40 L=11.0		*		1.00
5	SD0260271SP	HINGE SCREW D=2.60 H=2.7		*		1.00
6	12208500	RATCHET PAWL		*		1.00
7	PS0300132KH	SPRING PIN 3X13		*		2.00
8	12208104	FEED ECCENTRIC BODY		*		1.00
9	SS6660710TP	SCREW 1/4-40 L=7		*		2.00
10	12208302	SLIDE BLOCK		*		1.00
11	12208203	FEED CAM		*		1.00
12	12208401	FEED ADJUSTING CAM		*		1.00
13	12208609	RATCHET PAWL SPRING				1.00
14	12208807	RATCHET GEAR SPRING				1.00
15	SS6080320SP	SCREW 1/8-44 L=2.5				1.00
16	12208906	CRANK ROD				1.00
17	SS7110910TP	SCREW 11/64-40 L=8.5				1.00
18	SB33500020A	BEARING	SELECTIVE PARTS			1.00
19	SB33500020B	BEARING	SELECTIVE PARTS			1.00
20	SB33500020C	BEARING	SELECTIVE PARTS			1.00
21	SB33500020D	BEARING	SELECTIVE PARTS			1.00
22	SB33500020E	BEARING	SELECTIVE PARTS			1.00
23	31256605	PUSH BOTTON STUD				1.00
24	31256803	SPRING				1.00
25	12118600	OIL SHEET				1.00
26	13286604	SLIDE BLOCK B				1.00
27	13122007	CRANK PIN A				1.00
28	13122106	CRANK PIN B				1.00
29	13122205	CRANK PIN C				1.00
30	13122304	CRANK PIN D				1.00
31	13285200	FEED BRANCH CRANK				1.00
32	SS9151210TP	SCREW 15/64-28 L=11.8				1.00
33	13286505	SLIDE BLOCK A				1.00
34	SB31200030A	BEARING	SELECTIVE PARTS			1.00
35	SB31200030B	BEARING	SELECTIVE PARTS			1.00
36	SB31200030C	BEARING	SELECTIVE PARTS			1.00
37	SB31200030D	BEARING	SELECTIVE PARTS			1.00
38	SB31200030E	BEARING	SELECTIVE PARTS			1.00
39	12211801	PUSH BOTTON CAP				1.00
40	RE0320000K0	E-RING 3.2				1.00

FEED MECHANISM COMPONENTS (2)



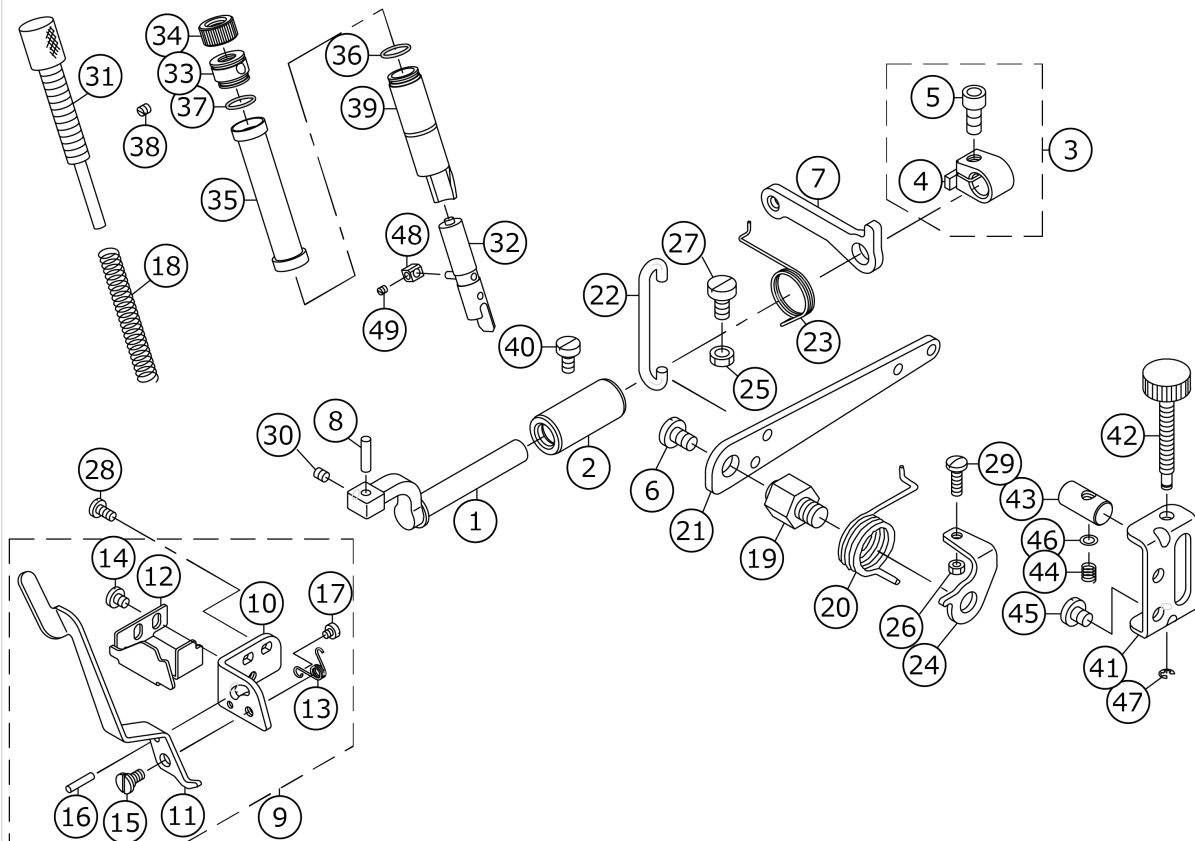
No.	品番	品名	備考	子部品	消耗品	個数
1	13285051	FEED ROCKER ASM.				1.00
2	13285002	MAIN FEED BAR		*		1.00
3	13285101	DIFFERENTIAL FEED BAR		*		1.00
4	13286000	RUBBER CASE				1.00
5	13285804	RUBBER PRESSER				1.00
6	13285606	FEED BAR SUPPORT RIGHT				1.00
7	13285705	FEED BAR SUPPOR LEFT				1.00
8	SS6090910TP	SCREW 9/64-40 L=9				2.00
9	40186232	DUST-PROOF RUBBER				2.00
10	13122700	ADJUSTING SHAFT METAL				1.00
11	12211603	DIFFERENTIAL FEED GRADUATION				1.00
12	SM4050855SP	SCREW				2.00
13	13121405	ADJUSTING STOPPER				2.00
14	SS7090540TP	SCREW 9/64-40 L=5				2.00
15	12210217	FEED BAR SUPPORT SHAFT				1.00
16	CS0790731SH	THRUST COLLAR				1.00
17	SS8110410TP	SCREW 11/64-40 L=3.5				1.00
18	12210308	SLIDE BLOCK				1.00
19	SM4040855SP	SCREW				1.00
20	13286406	ADJUSTING LINK				1.00
21	13121256	SUPPORT SHAFT COLLAR ASM.				1.00
22	13121207	SUPPORT SHAFT COLLAR		*		1.00
23	SS8110410TP	SCREW 11/64-40 L=3.5		*		1.00
24	31256100	DIFFERENTIAL FEED ROCKER				1.00
25	SS6660610TP	SCREW 1/4-40 L=6				1.00
26	40011238	ROCKER SHAFT ASM.				1.00
27	13170501	RUBBER RING				1.00
28	12211504	SPRING				1.00
29	12209458	SUB-FEED ARM ASM.				1.00
30	12209508	PIN		*		1.00
31	12209607	PIN COVER		*		1.00
32	SS6080410SP	SCREW 1/8-44 L=4		*		2.00
33	12209409	FEED ROCKER		*		1.00
34	SS9151210TP	SCREW 15/64-28 L=11.8		*		1.00
35	13217401	DIFFERENTIAL FEED HINGE SCREW				1.00
36	13217500	DIFFERENTIAL FEED LOCK NUT				1.00
37	40011571	DIFFERENTIAL FEED ADJUST LINK				1.00
38	SM4040855SP	SCREW				2.00
39	12235206	MAIN FEED DOG				1.00
40	12236709	DIFFERENTIAL FEED DOG				1.00
41	12238101	AUXILIARY FEED DOG				1.00
42	SS7060610SP	SCREW 3/32-56 L=5.5				1.00
43	SS6090810TP	SCREW 9/64-40 L=7.5				1.00
44	SS6090810TP	SCREW 9/64-40 L=7.5				1.00
45	13121108	WASHER				1.00
46	12209805	LINK				1.00
47	SS6111010TP	SCREW 11/64-40 L=9.5				1.00
48	12210803	SPRING				1.00
49	TA0570301M0	PLUG D=5.7X6.1 L=3				1.00
50	13285309	OIL SHIELD PLATE A				1.00

51	13285408	OIL SHIELD PLATE B				1.00
52	13285507	OIL SHIELD PLATE C				1.00
53	WP0451026SH	WASHER				1.00
54	B1536804000	PIN				1.00
55	SS7111810TP	SCREW 11/64-40 L=18				1.00
56	CS0870811SH	THRUST COLLAR D=8.73 W=8				1.00
57	CS0870811SH	THRUST COLLAR D=8.73 W=8				1.00
58	RE0400000K0	E-RING 4				1.00
59	SM1040801SP	SCREW M4X0.7 L=8				2.00
60	SM4040655SP	SCREW M4 L=6				2.00
61	SM4040655SP	SCREW M4 L=6				1.00
62	SS8110410TP	SCREW 11/64-40 L=3.5				2.00
63	SS8110410TP	SCREW 11/64-40 L=3.5				1.00
64	SS6110820TP	SCREW 11/64-40 L=8				1.00
65	WP0371026SD	WASHER 3.7X7X1				2.00
66	WP0621016SD	WASHER 6.2X13X1				1.00
67	WP0450801SD	WASHER 4.5X10X0.8				2.00
68	WP0430800SD	WASHER M4				1.00
69	31255706	BUSHING FRONT				1.00
70	31255805	BUSHING REAR				1.00
71	12209102	ROCKER SHAFT				1.00
72	12209300	MAIN FEED LINK				1.00
73	B1620804000	COLLAR				1.00
74	31255300	FEED DRIVING SLIDE BLOCK WASHE				1.00
75	SS6121220TP	SCREW 3/16-28 L=11.5				1.00
76	CS1201012SH	THRUST COLLAR				2.00
77	SS8660410SP	SCREW 1/4-40 L=4.2				4.00
78	12209201	MAIN FEED PIN				1.00
79	B322877100B	BOBBIN WINDER SPACER				1.00
80	40011564	COLLAR A	SELECTIVE PARTS			1.00
81	40011565	COLLAR B	SELECTIVE PARTS			1.00
82	40011566	COLLAR C	SELECTIVE PARTS			1.00

No.	品番	品名	備考	子部品	消耗品	個数
1	40186737	UPPER LOOPER GUIDE ASM F				1.00
2	40015636	UPPER LOOPER HOLDER		*		1.00
3	40011233	UPPER LOOPER GUIDE		*		1.00
4	12214706	UPPER LOOPER GUIDE SUPPORT		*		1.00
5	12214805	UPPER LOOPER GUIDE COVER		*		1.00
6	13289004	UPPER LOOPER ARM D		*		1.00
7	SS9151210TP	SCREW 15/64-28 L=11.8		*		1.00
8	40011234	DUST SEALING FELT		*		1.00
9	13143706	OIL FELT		*		1.00
10	13143607	OIL FELT PRESSER		*		1.00
11	SS7060610SP	SCREW 3/32-56 L= 5.5		*		2.00
12	SS9090610TP	SCREW 9/64-40 L=5.5		*		1.00
13	SS7060310SP	SCREW 3/32-56 L=3		*		1.00
14	13131206	UPPER LOOPER HOLDER PIN A	SELECTIVE PARTS	*		1.00
15	13131305	UPPER LOOPER HOLDER PIN B	SELECTIVE PARTS	*		1.00
16	13131404	UPPER LOOPER HOLDER PIN C	SELECTIVE PARTS	*		1.00
17	13131503	UPPER LOOPER HOLDER PIN D	SELECTIVE PARTS	*		1.00
18	13131602	UPPER LOOPER HOLDER PIN E	SELECTIVE PARTS	*		1.00
19	CQ200000000	OIL WICK		*		0.04
20	CQ202000000	COTTON OIL WICK D=2		*		0.04
21	13131701	OIL WICK STOPPER BALL		*		1.00
22	SS9151210TP	SCREW 15/64-28 L=11.8				1.00
23	13221502	UPPER LOOPER SHAFT B	SELECTIVE PARTS			1.00
24	13221403	UPPER LOOPER SHAFT A	SELECTIVE PARTS			1.00
25	13221601	UPPER LOOPER SHAFT C	SELECTIVE PARTS			1.00
26	SS7090850SP	SCREW 9/64-40 L=8				1.00
27	12340709	LOWER LOOPER THREAD TAKE-UP				1.00
28	SS6080410SP	SCREW 1/8-44 L=4				1.00
29	13222401	LOOPER THREAD TAKE-UP COVER				1.00
30	SM4040655SP	SCREW M4 L=6				2.00
31	12340303	THREAD GUIDE RIGHT				1.00
32	SS3090610SP	SCREW 9/64-40 L=6				1.00
33	12340402	THREAD TAKE-UP RIGHT				1.00
34	SS7110840SP	SCREW 11/64-40 L=7.8				1.00
35	13287909	LOOPER THREAD TAKE-UP LEFT				1.00
36	SS6111140SP	SCREW 11/64-40 L=11				1.00
37	13287503	LOWER LOOPER SHAFT A	SELECTIVE PARTS			1.00
38	13287602	LOWER LOOPER SHAFT B	SELECTIVE PARTS			1.00
39	13287701	LOWER LOOPER SHAFT C	SELECTIVE PARTS			1.00

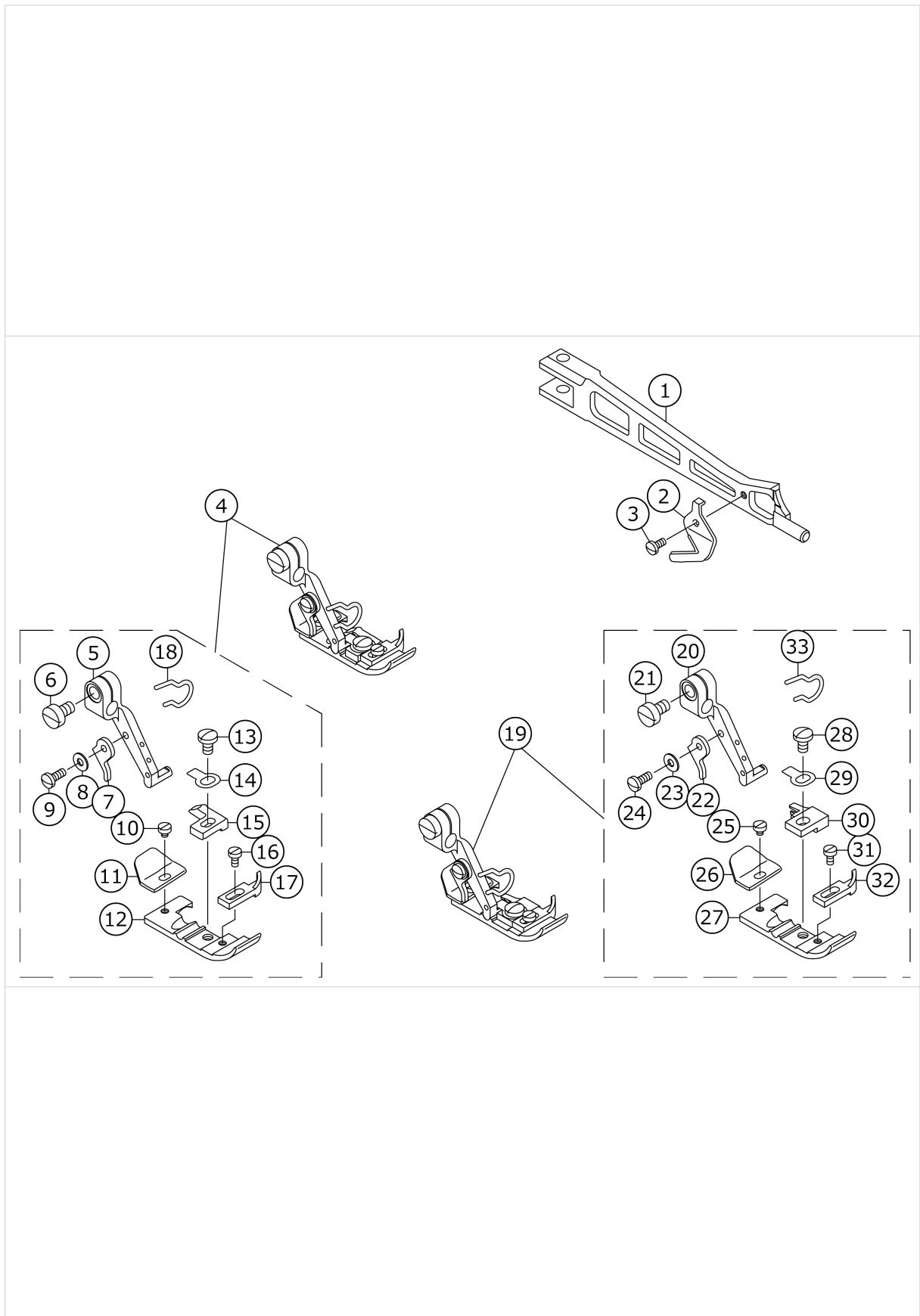
40	13222609	LOOPER SHAFT FRONT BUSHING				1.00
41	13222708	LOOPER SHAFT REAR BUSHING				1.00
42	13288006	LOOPER SHAFT FRONT BUSHING				1.00
43	SS9090410TP	SCREW				1.00
44	13288105	LOOPER SHAFT REAR BUSHING				1.00
45	13131909	GUIDE SUPPORT GAUGE				1.00
46	13131800	GAUGE FIXING PIN				1.00
47	12124202	UPPER LOOPER THREAD GUIDE				1.00
48	12215703	LOOPER THREAD GUIDE UPPER				1.00
49	SS4090615SP	SCREW 9/64-40 L=6				1.00
50	12340808	THREAD GUIDE				1.00
51	SS3090610SP	SCREW 9/64-40 L=6				1.00
52	SS6090630TP	SCREW 9/64-40 L=6				4.00
53	13170600	RUBBER RING				1.00
54	12240602	TRAVELING NEEDLE GUARD				1.00
55	SS4080620TP	SCREW 1/8-44 L=6				1.00
56	B2530704000	UPPER LOOPER SHAFT RUBBER RING				1.00
57	12215554	OIL SHIELD PLATE ASM.				1.00
58	12240107	LOWER LOOPER				1.00
59	CS1031210SH	THRUST COLLAR ASM. D=10.32 W=12				1.00
60	CS1031219SH	THRUST COLLAR D=10.32 W=12		*		1.00
61	SS8660610TP	SCREW 1/4-40 L=6		*		2.00
62	12247102	UPPER LOOPER				1.00
63	CS1001011SH	THRUST COLLAR				1.00
64	SS8660530TP	SCREW 1/4-40 L=4.5				2.00
65	SS6090910TP	SCREW 9/64-40 L=9				1.00
66	12215406	OIL SEAL				1.00
67	SS6090630TP	SCREW 9/64-40 L=6				1.00
68	12215307	LOWER LOOPER ARM				1.00
69	SM6061200SP	SCREW M6 L=12				2.00
70	PS0200062KH	SPRING PIN 2X6				1.00
71	31262801	HOOK COVER PRESSER SPRING PIN				1.00
72	13129309	WASHER				1.00

PRESSER FOOT COMPONENTS (1)



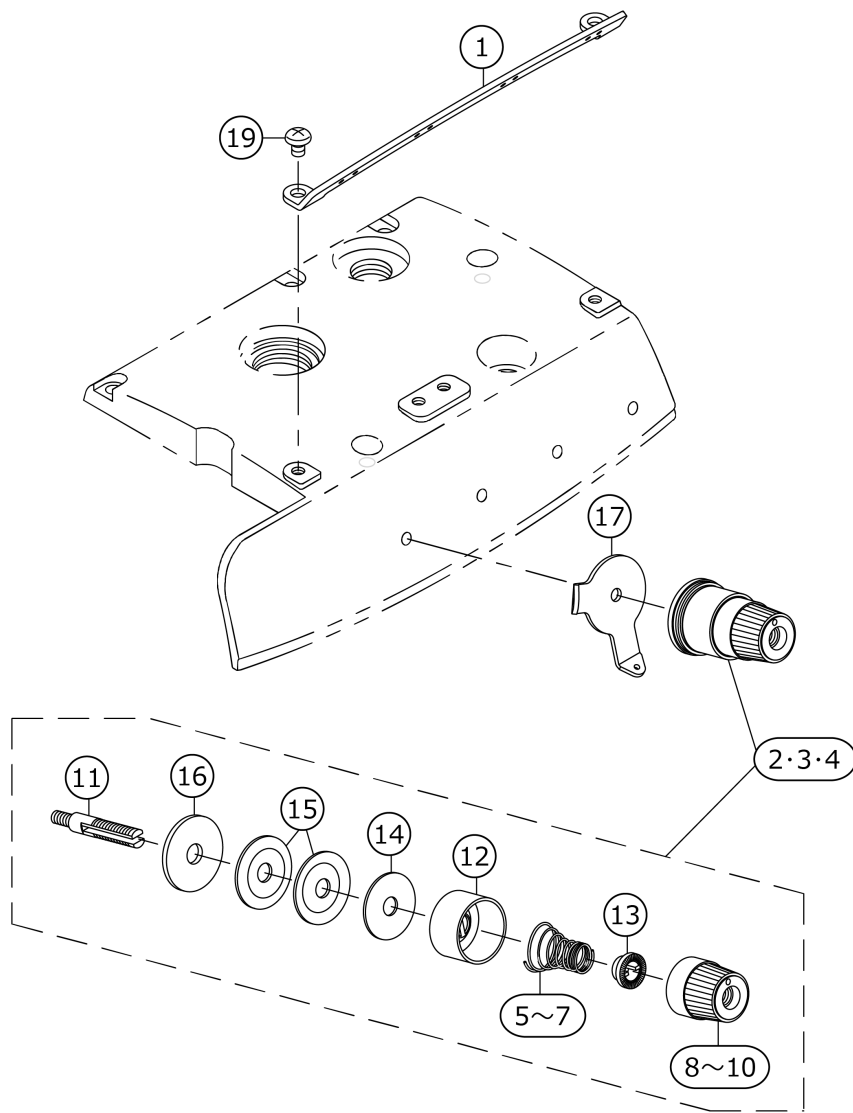
No.	品番	品名	備考	子部品	消耗品	個数
1	12113205	PRESSER FOOT SHAFT				1.00
2	13115100	PRESSER FOOT SHAFT BUSHING				1.00
3	40096182	THRUST ARM ASM.				1.00
4	40096181	THRUST ARM		*		1.00
5	SM6061402TP	SCREW M6 L=14		*		1.00
6	SS7161040SP	SCREW 1/4-24 L=9.5				1.00
7	13116801	LIFTING ARM				1.00
8	13115407	PRESSER FOOT ARM HINGE SHAFT				1.00
9	13115753	PRESSER LIFTING LEVER BASE ASM.				1.00
10	13115803	PRESSER LIFTING LEVER BASE		*		1.00
11	13115902	PRESSER LIFTING LEVER		*		1.00
12	13116009	PRESSER ARM STOPPER		*		1.00
13	13116108	PRESSER FOOT LIFTING SPRING		*		1.00
14	SS7110510SP	SCREW 11/64-40 L=5		*		2.00
15	SD0640241SP	HINGE SCREW D=6.35 H=2.4		*		1.00
16	PS0300142KH	SPRING PIN 0.3X14		*		1.00
17	SS6080340SP	SCREW 1/8-44 L=2.9		*		1.00
18	13116207	PRESSER FOOT SPRING				1.00
19	13117007	PRESSER LIFTING LEVER SCREW				1.00
20	12206702	LIFTING LEVER SPRING				1.00
21	13116900	PRESSER LIFTING LEVER				1.00
22	11819414	LIFTING HOOK				1.00
23	13116504	LIFTING LEVER ARM SPRING				1.00
24	12206603	LEVER STOPPER				1.00
25	NM6060003SC	NUT M6				1.00
26	NS6110420SP	NUT 11/64-40				1.00
27	SM6061200SP	SCREW M6 L=12				1.00
28	SS7110840SP	SCREW 11/64-40 L=7.8				2.00
29	SS7111410TP	SCREW 11/64-40 L=14				1.00
30	SM8050412TP	SCREW M5 L=4				1.00
31	40034897	PRESSER ADJUSTING SCREW				1.00
32	13115654	PRESSER BAR ASM.				1.00
33	12288700	PRESSER REGULATOR SCREW WASHER				1.00
34	13117106	PRESSER REGULATOR NUT				1.00
35	13212709	PRESSER BAR COVER				1.00
36	13170402	RUBBER RING				1.00
37	13170402	RUBBER RING				2.00
38	SM8040402TP	SCREW M4X0.7 L=4				1.00
39	13212501	PRESSER BAR BUSHING				1.00
40	SS6121020SP	SCREW 3/16-28 L=9.5				1.00
41	13283700	ADJUSTING BASE				1.00
42	13213012	ADJUSTING SCREW				1.00
43	13212915	ADJUSTING BLOCK				1.00
44	13123302	ADJUSTING SPRING				1.00
45	SS7150740SP	SCREW 15/64-28 L=7				2.00
46	WP0460556SD	WASHER 4.6X7.5X0.5				1.00
47	RE0300000K0	E-RING 3				1.00
48	70004672	SLIDE BLOCK				1.00
49	SS8080310TP	SCREW 1/8-44 L=2.8				1.00

PRESSER FOOT COMPONENTS (2)

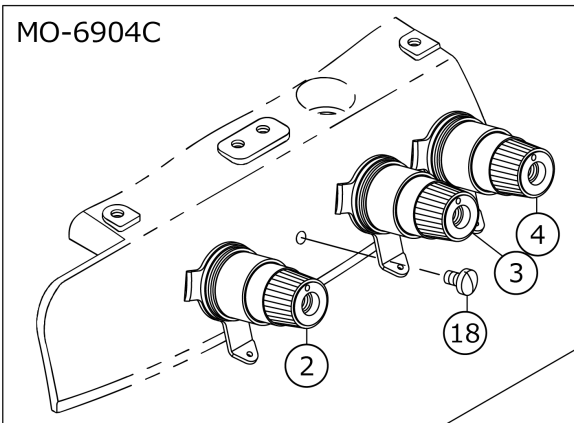


No.	品番	品名	備考	子部品	消耗品	個数
1	12253829	PRESSER FOOT ARM				1.00
2	13116702	THREAD TRIMMER				1.00
3	SS7060510SP	SCREW 3/32-56 L=4.8				1.00
4	12230165	PRESSER ASM.	FOR MO-6904C			1.00
5	11872009	PRESSER FOOT HINGE		*		1.00
6	SS6090670SP	SCREW 9/64-40 L=6		*		1.00
7	B1530804000	STOPPER		*		1.00
8	WP0250516SD	WASHER 2.5X6X0.5		*		1.00
9	SS7060610SP	SCREW 3/32-56 L=5.5		*		1.00
10	SS6060210SP	SCREW 3/32-56 L=1.9		*		1.00
11	B1511814000	REAR PRESSER FOOT		*		1.00
12	12232104	PRESSER FOOT		*		1.00
13	SS7080520SP	SCREW 1/8-44 L=4.9		*		1.00
14	B150880400B	SPRING		*		1.00
15	B1509804C00	STITCH TONGUE		*		1.00
16	SS6060440TP	SCREW 3/32-56 L=3.5		*		1.00
17	B1510814000	CURL GUARD		*		1.00
18	13178306	FINGER GUIDE		*		1.00
19	12230264	PRESSER ASM.	FOR MO-6914C			1.00
20	11872009	PRESSER FOOT HINGE		*		1.00
21	SS6090670SP	SCREW 9/64-40 L=6		*		1.00
22	B1530804000	STOPPER		*		1.00
23	WP0250516SD	WASHER 2.5X6X0.5		*		1.00
24	SS7060610SP	SCREW 3/32-56 L=5.5		*		1.00
25	SS6060210SP	SCREW 3/32-56 L=1.9		*		1.00
26	B1511814000	REAR PRESSER FOOT		*		1.00
27	12232104	PRESSER FOOT		*		1.00
28	SS7080520SP	SCREW 1/8-44 L=4.9		*		1.00
29	B150880400B	SPRING		*		1.00
30	B150981400P	STITCH TONGUE		*		1.00
31	SS6060440TP	SCREW 3/32-56 L=3.5		*		1.00
32	B1510814000	CURL GUARD		*		1.00
33	13178306	FINGER GUIDE		*		1.00

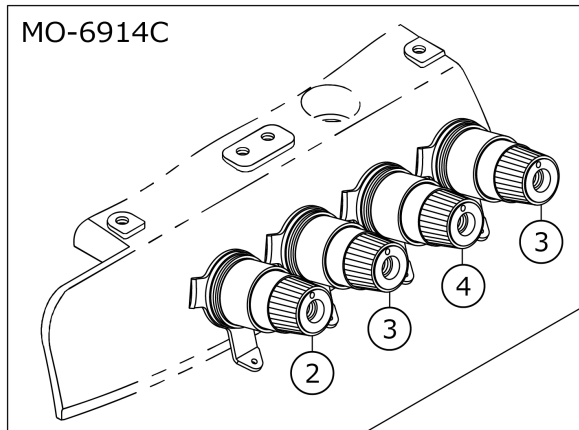
THREAD TENSION COMPONENTS



MO-6904C

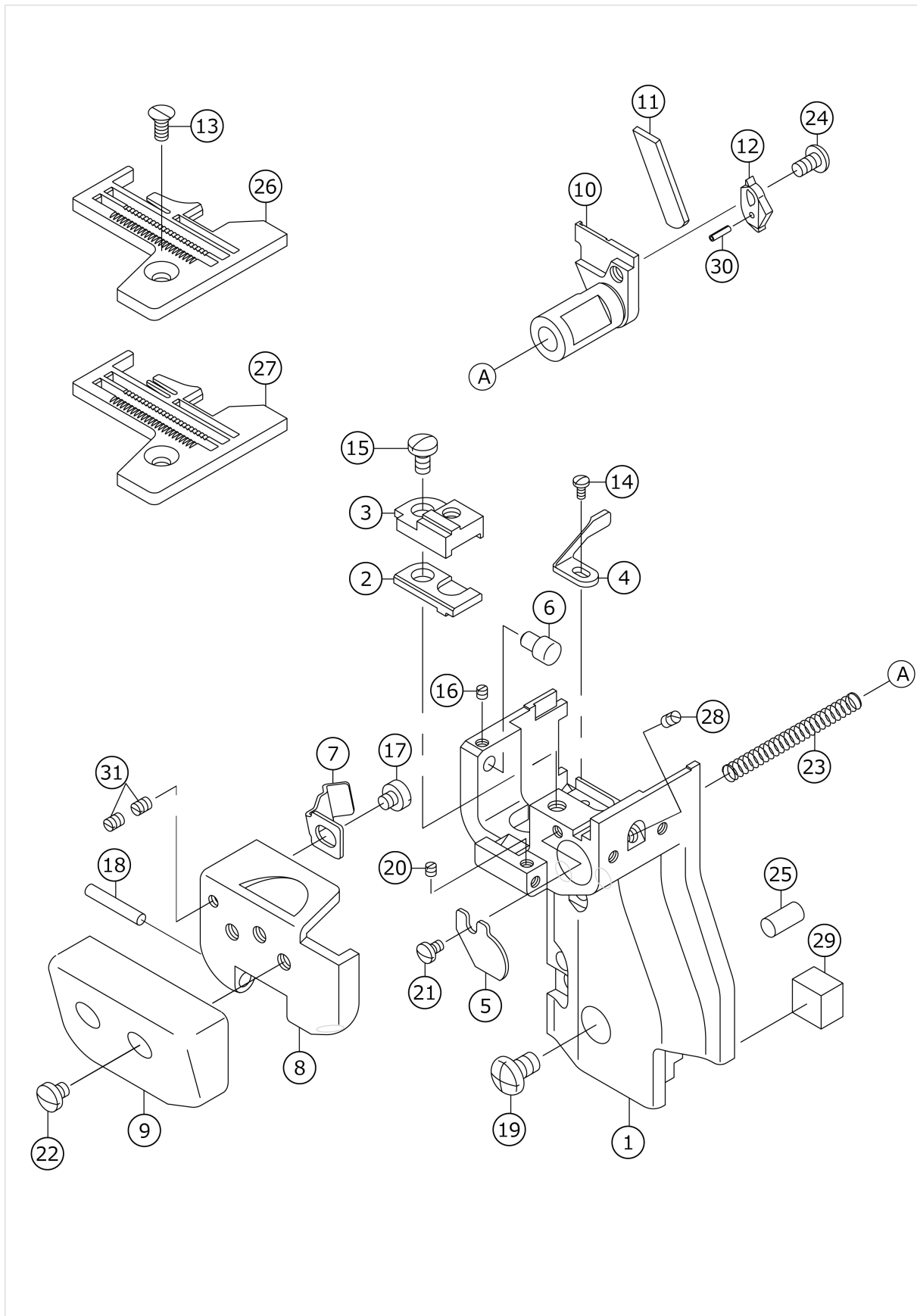


MO-6914C



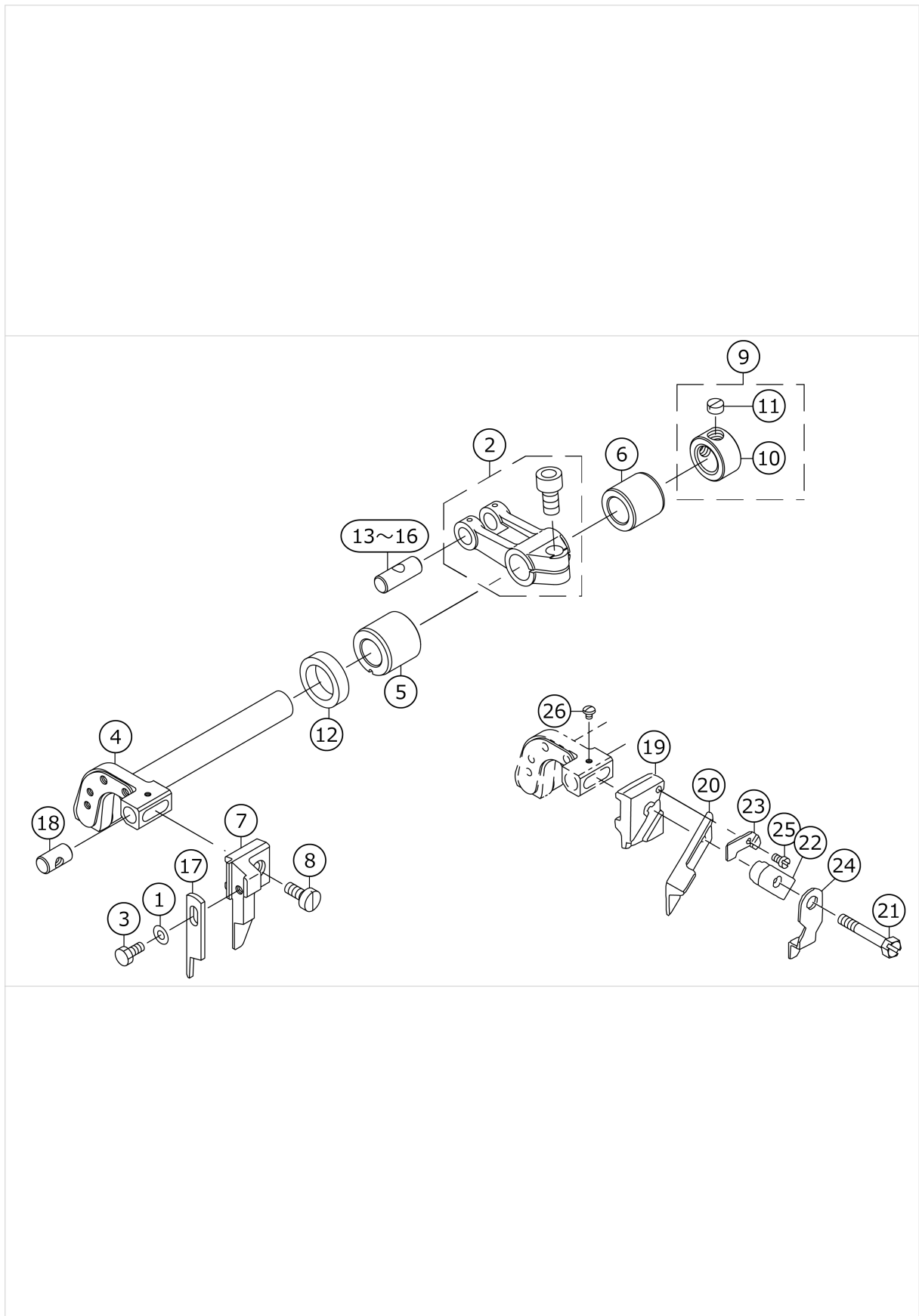
No.	品番	品名	備考	子部品	消耗品	個数
1	13225008	CENTER THREAD GUIDE				1.00
2	12284758	THREAD TENSION SPRING JUNCTION				1.00
3	12284857	THREAD TENSION SPRING JUNCTION	FOR MO-6904C(1 PC. IS USED.) FOR MO-6914C(2 PC. ARE USED .)			1.00
4	12284956	THREAD TENSION SPRING JUNCTION				1.00
5	12284709	TENSION SPRING RED		*		1.00
6	12284808	TENSION SPRING YELLOW		*		1.00
7	12284907	TENSION SPRING BLUE		*		1.00
8	12285003	THREAD TENSION KNOB RED		*		1.00
9	12285102	THREAD TENSION KNOB YELLOW		*		1.00
10	12285201	THREAD TENSION KNOB BLUE		*		1.00
11	12285300	TENSION POST		*		1.00
12	12285409	TENSION DISK PRESSER		*		1.00
13	12285508	TENSION SPRING BUSHING		*		1.00
14	12285607	THREAD TENSION SPRING FELT		*		1.00
15	12285706	THREAD TENSION DISK		*		2.00
16	12285805	THREAD TENSION RUBBER		*		1.00
17	13225107	TESION DISK THREAD GUIDE				1.00
18	SS7110710SL	SCREW 11/64-40 L=7	FOR MO-6904C			1.00
19	SS4110615SP	SCREW 11/64-40 L=6				2.00

LOWER KNIFE COMPONENTS



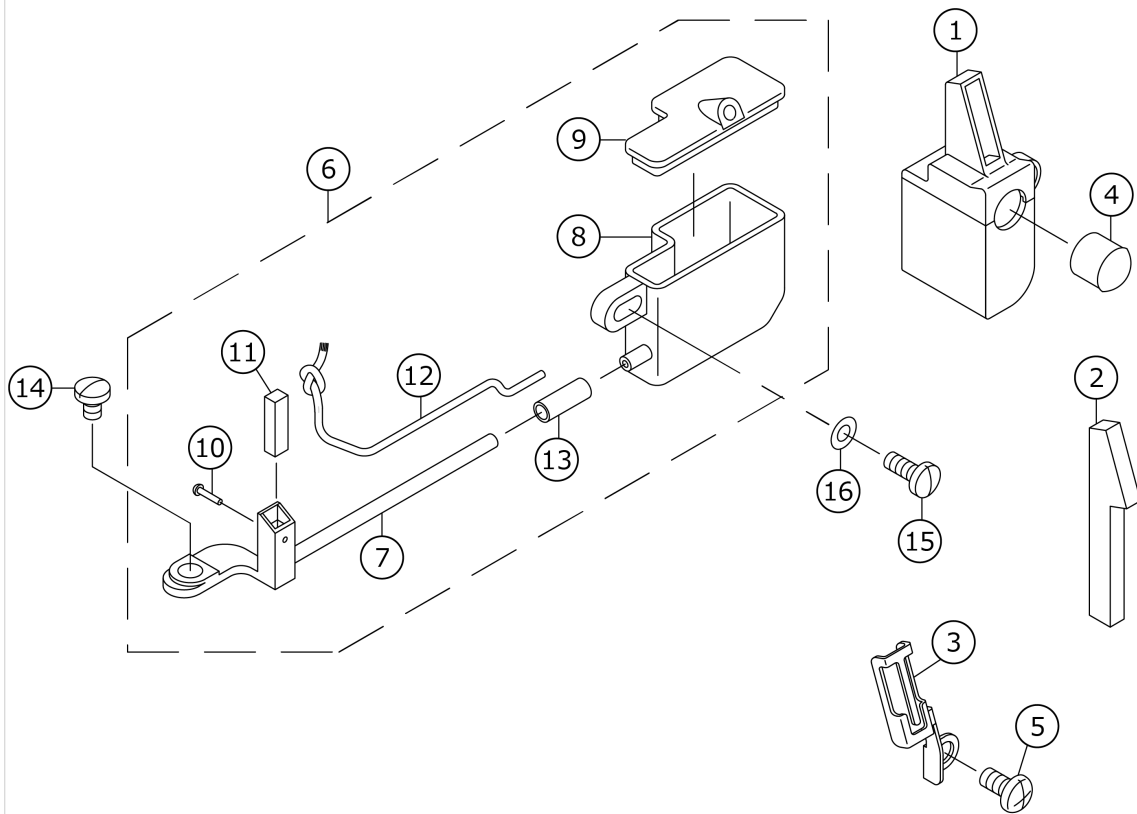
No.	品番	品名	備考	子部品	消耗品	個数
1	12219101	CYLINDER BRACKET				1.00
2	12219903	THROAT PLATE BASE LOWER				1.00
3	12219804	THROAT PLATE BASE UPPER				1.00
4	12240701	NEEDLE GUARD				1.00
5	31261100	SPRING STOPPER				1.00
6	31260607	PIN				1.00
7	12219507	SPRING				1.00
8	12219200	COVER BASE				1.00
9	31260359	CYLINDER COVER ASM.				1.00
10	31261001	LOWER KNIFE SLIDE STUD				1.00
11	12220307	LOWER KNIFE				1.00
12	12220208	LOWER KNIFE PRESSER PRATE				1.00
13	SS2110910SL	SCREW 11/64-40 L=9				1.00
14	SS7060510SP	SCREW 3/32-56 L=4.8				1.00
15	SS7110840SP	SCREW 11/64-40 L=7.8				1.00
16	SS8080310TP	SCREW 1/8-44 L=2.8				1.00
17	SS6110480SP	SCREW 11/64-40 L=4.3				1.00
18	11111705	WIPER SOLENOID PIN				1.00
19	SM4050855SP	SCREW				3.00
20	SS8080310TP	SCREW 1/8-44 L=2.8				1.00
21	SS7080520SP	SCREW 1/8-44 L=4.9				1.00
22	SS7110510SP	SCREW 11/64-40 L=5				2.00
23	31261209	SPRING				1.00
24	SS4110815SP	SCREW 11/64-40 L=8				1.00
25	12219705	PIN				2.00
26	R4300K6EE00	THROAT PLATE	FOR MO-6904C			1.00
27	R4305K6EE00	THROAT PLATE BE6	FOR MO-6914C			1.00
28	SS8110422TP	SCREW 11/64-40 L=4				1.00
29	12220604	BRACKET				1.00
30	PS0150065KP	SPRING PIN 1.5X6				1.00
31	SS8080410TP	SCREW 1/8-44 L=3.5				1.00

UPPER KNIFE COMPONENTS



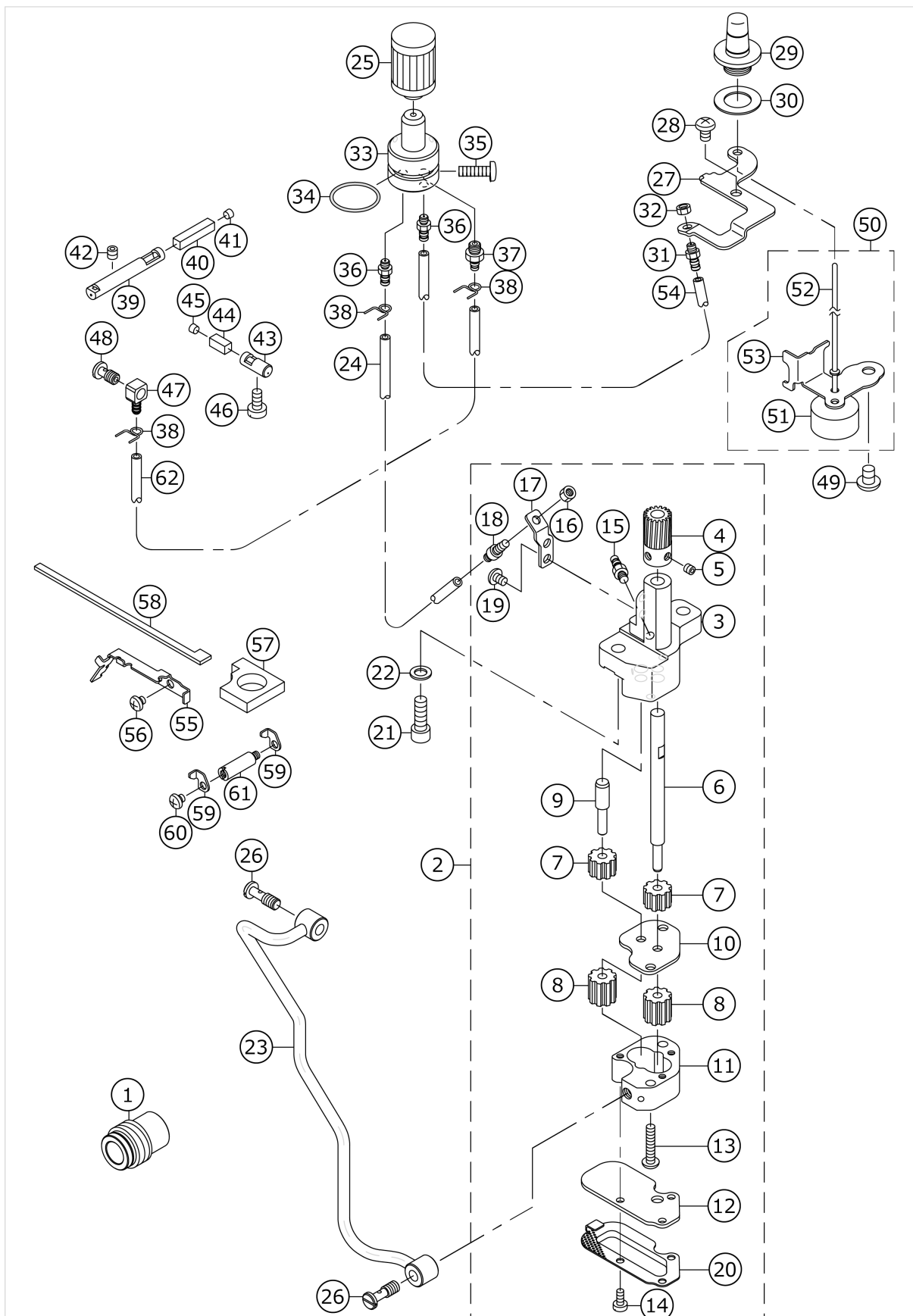
No.	品番	品名	備考	子部品	消耗品	個数
1	WP0370316SD	WASHER 3.7X8X0.3	EXCEPT JE			1.00
2	13147558	FEED FORKED ARM ASM.				1.00
3	SS9090823TP	BOLT 9/64-40 L=8	EXCEPT JE			1.00
4	13151303	KNIFE DRIVING ARM SHAFT				1.00
5	13150909	BUSHING FRONT				1.00
6	13151006	BUSHING REAR				1.00
7	13147400	PLAIN KNIFE SUPPORT A	EXCEPT JE			1.00
8	SS6111040SP	SCREW 11/64-40 L=9.5	EXCEPT JE			1.00
9	CS111101HSH	THRUST COLLAR ASM.				1.00
10	CS1111019SH	THRUST COLLAR D=11.11 W=10		*		1.00
11	SS8660330SP	SCREW 1/4-40 L=3.0		*		1.00
12	11566809	OIL SEAL				1.00
13	13122007	CRANK PIN A	SELECTIVE PARTS			1.00
14	13122106	CRANK PIN B	SELECTIVE PARTS			1.00
15	13122205	CRANK PIN C	SELECTIVE PARTS			1.00
16	13122304	CRANK PIN D	SELECTIVE PARTS			1.00
17	13150503	PLAIN KNIFE	EXCEPT JE			1.00
18	13150800	UPPER KNIFE GUIDE SHAFT				1.00
19	11598000	UPPER KNIFE SUPPORT	FOR JE			1.00
20	11845807	UPPER KNIFE	FOR JE			1.00
21	SS9111610SP	SCREW 11/64-40 L=16	FOR JE			1.00
22	11565504	UPPER KNIFE PRESSER PLATE	FOR JE			1.00
23	11565702	WASHER	FOR JE			1.00
24	11848405	UPPER KNIFE COVER	FOR JE			1.00
25	SS4060310SP	SCREW 3/32-56 L=2.5	FOR JE			1.00
26	SS4060310SP	SCREW 3/32-56 L=2.5	FOR JE			1.00

NEEDLE COOLING MECHANISM COMPONENTS



No.	品番	品名	備考	子部品	消耗品	個数
1	13163456	SILICON TANK ASM.				1.00
2	13163803	NEEDLE THREAD FELT				1.00
3	13163902	NEEDLE THREAD FELT PRESSER				1.00
4	TA0950806R0	RUBBER PLUG				1.00
5	SM4041055SP	SCREW				1.00
6	12224655	NEEDLE COOLER TANK ASM.				1.00
7	12224853	NEEDLE COOLER ASM.		*		1.00
8	12224606	TANK		*		1.00
9	12224705	TANK COVER		*		1.00
10	11856101	NEEDLE COOLER PIN		*		1.00
11	12225009	FELT		*		1.00
12	CQ200000000	OIL WICK		*		0.15
13	BT0400251ED	TUBE HOSE GREEN		*		0.02
14	SS7090540TP	SCREW 9/64-40 L=5				1.00
15	SS7090910SP	SCREW 9/64-40 L=8.5				1.00
16	WP0371026SD	WASHER 3.7X7X1				1.00

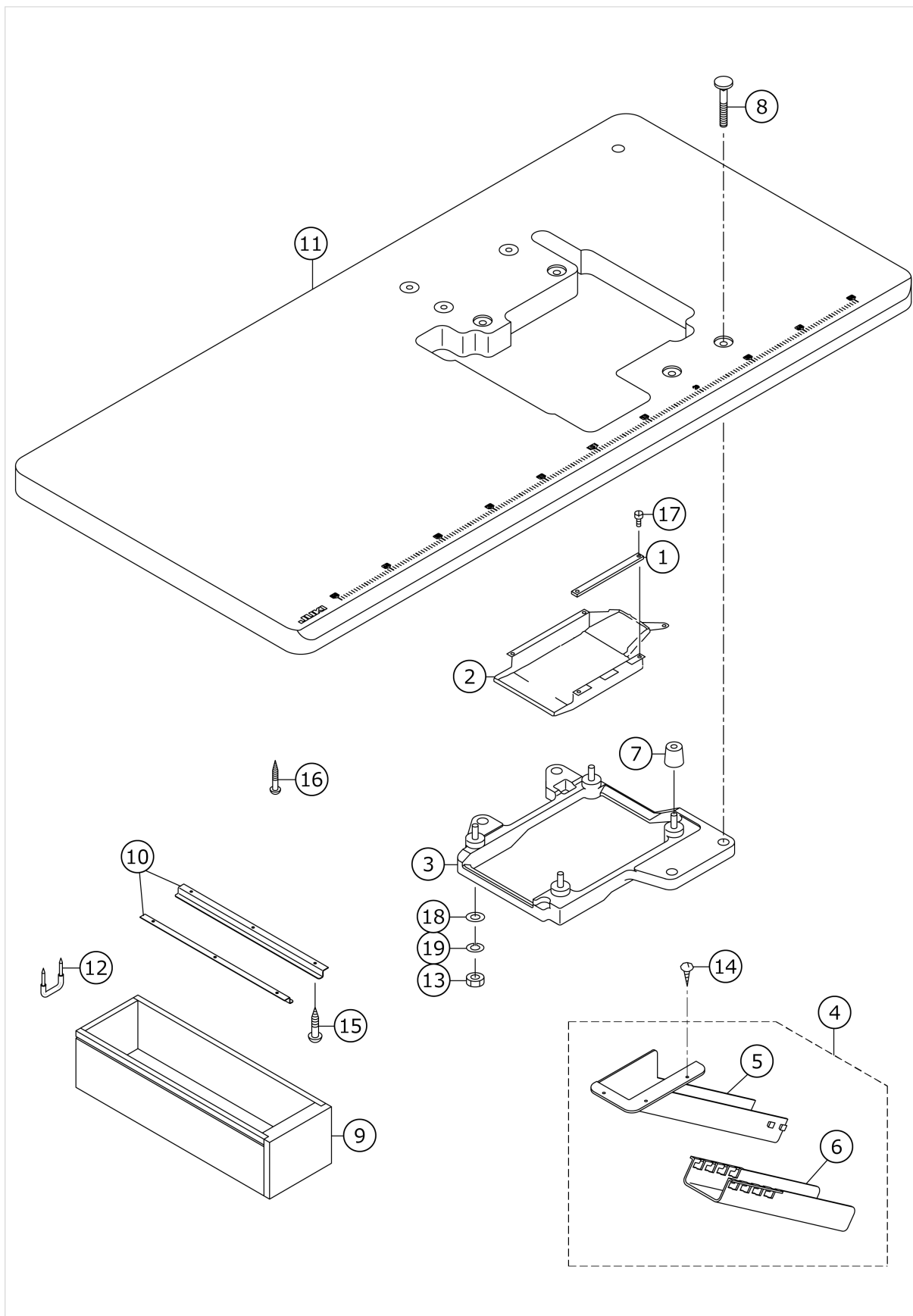
LUBRICATION MECHANISM COMPONENTS



No.	品番	品名	備考	子部品	消耗品	個数
1	13230305	WORM				1.00
2	40018045	OIL PUMP ASM				1.00
3	12315909	OIL PUMP		*		1.00
4	13343009	WORM WHEEL		*		1.00
5	SM8050412TP	SCREW M5 L=4		*		2.00
6	11918109	GEAR PUMP SHAFT LARGE		*		1.00
7	B3534352000	PINION GEAR		*		2.00
8	11840303	OIL PUMP PINION		*		2.00
9	12317004	GEAR PUMP SHAFT		*		1.00
10	12316006	PINION SPACER		*		1.00
11	12316105	CASING		*		1.00
12	40016762	PUMP COVER		*		1.00
13	SS4112215SP	SCREW 11/64-40 L=22		*		2.00
14	SS6090810SP	SCREW 9/64-40 L=7.5		*		3.00
15	SQ1110401MZ	CONNECTING SCREW		*		1.00
16	NS6110310SP	NUT 11/64-40		*		1.00
17	12129318	CONNECTING SCREW BRACKET		*		1.00
18	SQ1110451MZ	CONNECTING SCREW		*		1.00
19	SS4110615SP	SCREW 11/64-40 L=6		*		2.00
20	40016763	PUMP NET		*		1.00
21	SM6061802TP	SCREW M6 L=18				2.00
22	WP0651056SD	WASHER 6.5X11X1				2.00
23	13294053	LUBRICATING PIPE ASM.				1.00
24	23630007	TUBE				0.25
25	13142500	CARTRIDGE FILTER				1.00
26	SQ1150454SD	CONNECTING SCREW				2.00
27	13143805	EXHAUST PORT SUPPORT				1.00
28	SM4050855SP	SCREW				1.00
29	13143300	OIL GAUGE				1.00
30	13144001	OIL GAUGE GASKET				1.00
31	SQ1110451MZ	CONNECTING SCREW				1.00
32	NS6110310SP	NUT 11/64-40				1.00
33	13142955	FILTER GUIDE ASM.				1.00
34	13170808	RUBBER RING				1.00
35	SM4051601SC	SCREW M5X0.8 L=16				1.00
36	SQ1110451MZ	CONNECTING SCREW				2.00
37	SQ1150451MZ	CONNECTING SCREW				1.00
38	13142609	OIL TUBE HOLDER				3.00
39	13144100	OILING PIN				1.00
40	13144209	OIL FELT				1.00
41	TA0400301M0	PLUG D=4X4.5 L=3				1.00
42	SM8050502TP	SCREW M5 L=5				1.00
43	13143417	OILING PIN				1.00
44	13143508	OIL FELT				1.00
45	13230107	PLUG				1.00
46	SS6121020SP	SCREW 3/16-28 L=9.5				1.00
47	SQ0000451MZ	CONNECTING SCREW				1.00
48	SQ1150441SD	CONNECTING SCREW				1.00
49	SM4060801SE	SCREW				1.00
50	13229356	FLOAT ASM.				1.00

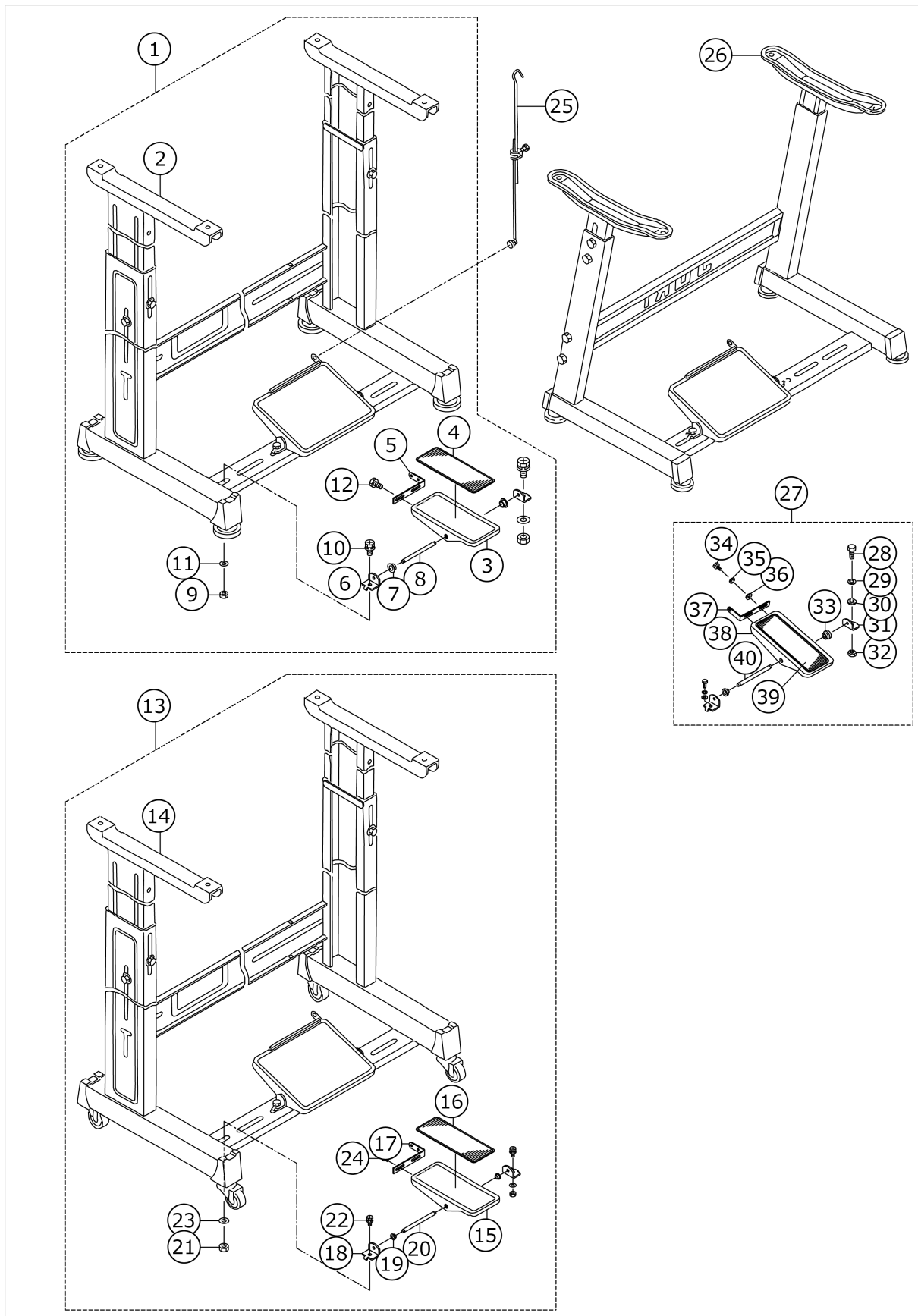
51	12129805	FLOAT		*		1.00
52	12129904	OIL GAUGE BAR		*		1.00
53	13229307	FLOAT SUPPORT		*		1.00
54	23630007	TUBE				0.14
55	13228804	OIL FELT GUIDE				1.00
56	31018005	SCREW				2.00
57	13229109	OIL FELT B				1.00
58	13229406	OIL FELT A				1.00
59	13228903	OIL FELT PRESSER				2.00
60	31018005	SCREW				1.00
61	13229000	FELT PRESSER SPACER				1.00
62	BP30000010R	VINYL PIPE				0.22

SEMI-SUNKEN TYPE TABLE COMPONENTS



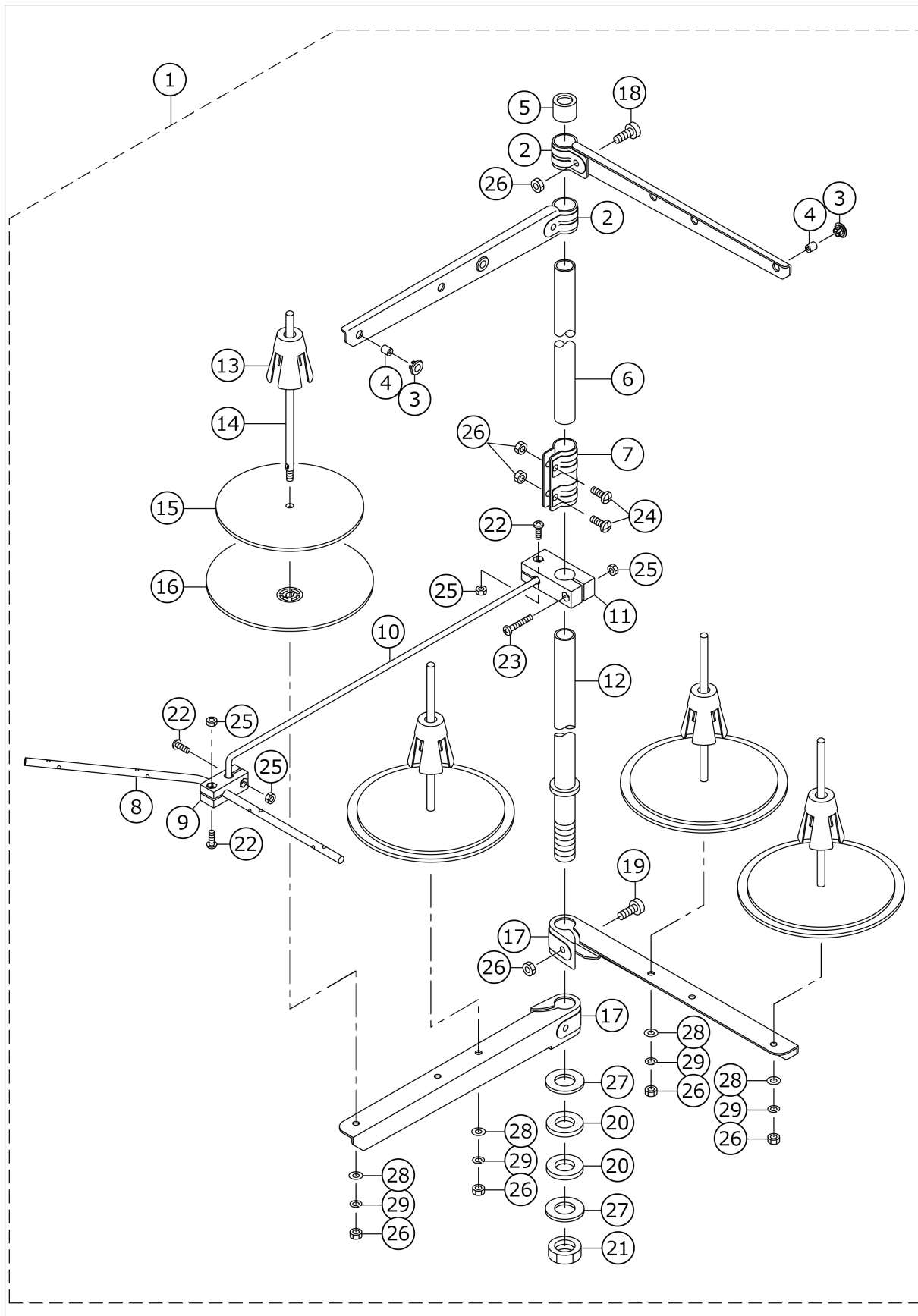
No.	品番	品名	備考	子部品	消耗品	個数
1	11850815	CASE SPONGE				1.00
2	12221800	COOLING FAN CASE				1.00
3	12221750	FRAME SUPPORT PLATE ASM.				1.00
4	12341954	CLOTH WASTE CHUTE ASM.				1.00
5	12341905	CLOTH WASTE CHUTE(SEMI-SUNKEN)		*		1.00
6	12341806	CLOTH WASTE CHUTE		*		1.00
7	13155403	DUST-PROOF RUBBER				4.00
8	13155007	HOLDING PLATE BOLT				4.00
9	11155108	DRAWER				1.00
10	11155207	DRAWER SUPPORT				2.00
11	12221602	TABLE(SEMI-SUNKEN)				1.00
12	D8204555D00	DRAWER STOPPER				1.00
13	NS6240630SE	NUT 3/8-18				4.00
14	SK2351600SC	WOOD SCREW D=3.5 L=16				3.00
15	SK3311500SC	WOOD SCREW D=3.1 L=15				6.00
16	SK3513200SC	WOOD SCREW D=5.1 L=32				4.00
17	SS6090630TP	SCREW 9/64-40 L=6				4.00
18	WP1002036SE	WASHER 10X21X2				4.00
19	WS1002560KR	SPRING WASHER 10X18X2.5				4.00

STAND COMPONENTS (Z/T)



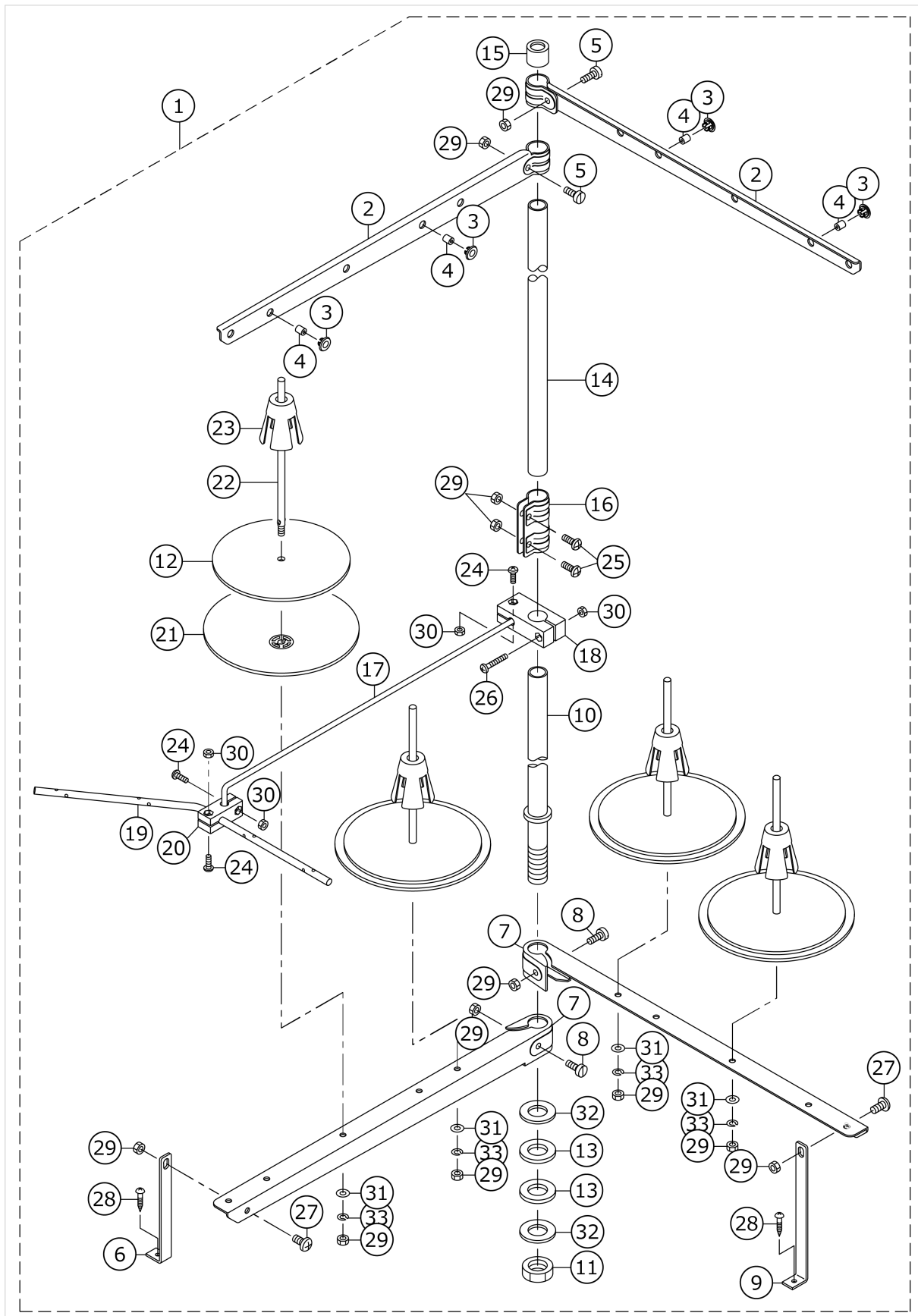
No.	品番	品名	備考	子部品	消耗品	個数
1	11960655	T STAND JUNCTION				1.00
2	11157567	T LEG JUNCTION		*		1.00
3	GPF06060000	PEDAL		*		1.00
4	GPF06070000	PEDAL MAT		*		1.00
5	GPF06080000	PEDAL ADJUSTING PLATE		*		1.00
6	11159001	PEDAL SHAFT BRACKET		*		2.00
7	D8113555B00	PEDAL BUSHING		*		2.00
8	B8153771000	PEDAL CONNECTING ROD		*		1.00
9	NM6080001SE	NUT M8		*		2.00
10	SL9082091SE	WASHER HEXAGONAL BOLT		*		2.00
11	WP0871602SE	WASHER 8.7X18X1.6		*		2.00
12	SL9061291SE	WASHER HEXAGONAL BOLT M6 L=12		*		2.00
13	11960754	T STAND JUNCTION(WITH CASTER)				1.00
14	11159365	T STAND JUNCTION		*		1.00
15	GPF06060000	PEDAL		*		1.00
16	GPF06070000	PEDAL MAT		*		1.00
17	GPF06080000	PEDAL ADJUSTING PLATE		*		1.00
18	11159001	PEDAL SHAFT BRACKET		*		2.00
19	D8113555B00	PEDAL BUSHING		*		2.00
20	B8153771000	PEDAL CONNECTING ROD		*		1.00
21	NM6080001SE	NUT M8		*		2.00
22	SL9082091SE	WASHER HEXAGONAL BOLT		*		2.00
23	WP0871602SE	WASHER 8.7X18X1.6		*		2.00
24	SL9061291SE	WASHER HEXAGONAL BOLT M6 L=12		*		2.00
25	B71140120A0	MOTOR CONNECTING ROD ASM.				1.00
26	11151065	Z LEG JUNCTION (B)				1.00
27	B81517710A0	PEDAL ASM.				1.00
28	SM9082023SE	SCREW M8 L=20		*		2.00
29	WS0861410KR	SPRING WASHER 8.6X15X1.4		*		2.00
30	WP0871602SE	WASHER 8.7X18X1.6		*		4.00
31	11151909	PEDAL SHAFT BRACKET		*		2.00
32	NM6080721SE	NUT M8		*		2.00
33	D8113555B00	PEDAL BUSHING		*		2.00
34	SM9061203SE	SCREW M6 L=12		*		2.00
35	WS0621210KR	SPRING WASHER 6.2X11.4X1.2		*		2.00
36	WP0671016SE	WASHER 6.7X13X1		*		2.00
37	11246600	PEDAL ADJUSTING PLATE		*		1.00
38	11246501	PEDAL		*		1.00
39	B8152771000	PEDAL MAT		*		1.00
40	B8153771000	PEDAL CONNECTING ROD		*		1.00

THREAD STAND COMPONENTS



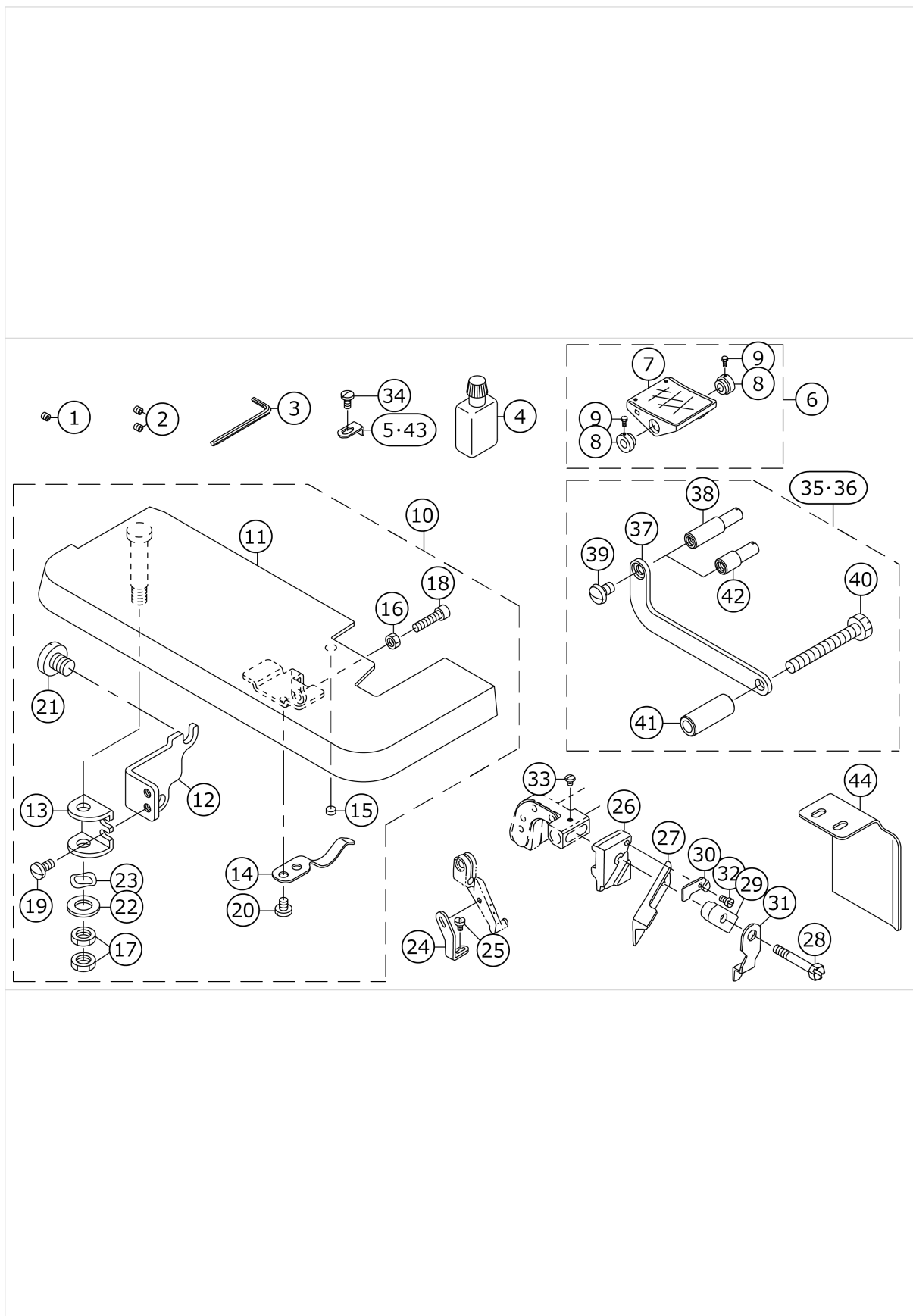
No.	品番	品名	備考	子部品	消耗品	個数
1	40106584	THREAD STAND PACKING				1.00
2	40085787	SPOOL REST ARM UPPER		*		2.00
3	40085795	THREAD GUIDE BUSHING		*		4.00
4	40085794	THREAD GUIDE		*		4.00
5	40085793	SPOOL REST ROD RUBBER CAP		*		1.00
6	40085785	SPOOL REST ROD UPPER		*		1.00
7	40085792	SPOOL REST ROD JOINT		*		1.00
8	40106582	THREAD GUIDE 4		*		1.00
9	40106580	THREAD GUIDE UNDER BASE		*		1.00
10	40106576	THREAD GUIDE ARM		*		1.00
11	40106579	THREAD GUIDE ARM BASE		*		1.00
12	40085784	SPOOL REST ROD LOWER		*		1.00
13	40085791	SPOOL RETAINER		*		4.00
14	40085790	SPOOL PIN		*		4.00
15	40085789	SPOOL REST CUSHION		*		4.00
16	40085788	SPOOL REST		*		4.00
17	40085786	SPOOL REST ARM LOWER		*		2.00
18	40096327	SPOOL REST ARM UPPER SCREW		*		2.00
19	40096326	SPOOL REST ARM LOWER SCREW		*		2.00
20	40085796	SPOOL REST ROD RUBBER CUSHION		*		2.00
21	40096325	SPOOL REST ROD NUT		*		1.00
22	SM4041201SC	SCREW M4 L=12		*		3.00
23	SM4042501SC	SCREW M4X0.7 L=25		*		1.00
24	SM4051405SE	SCREW M5 L=14		*		2.00
25	NM6040002SC	NUT M4		*		4.00
26	NM6050001SE	NUT M5		*		10.00
27	WP1612616SE	WASHER 16X30X2.6		*		2.00
28	WP0531001SC	WASHER M5		*		4.00
29	WS0510002KN	SPRING WASHER M5		*		4.00

THREAD STAND COMPONENTS (SPECIAL ORDER PARTS)



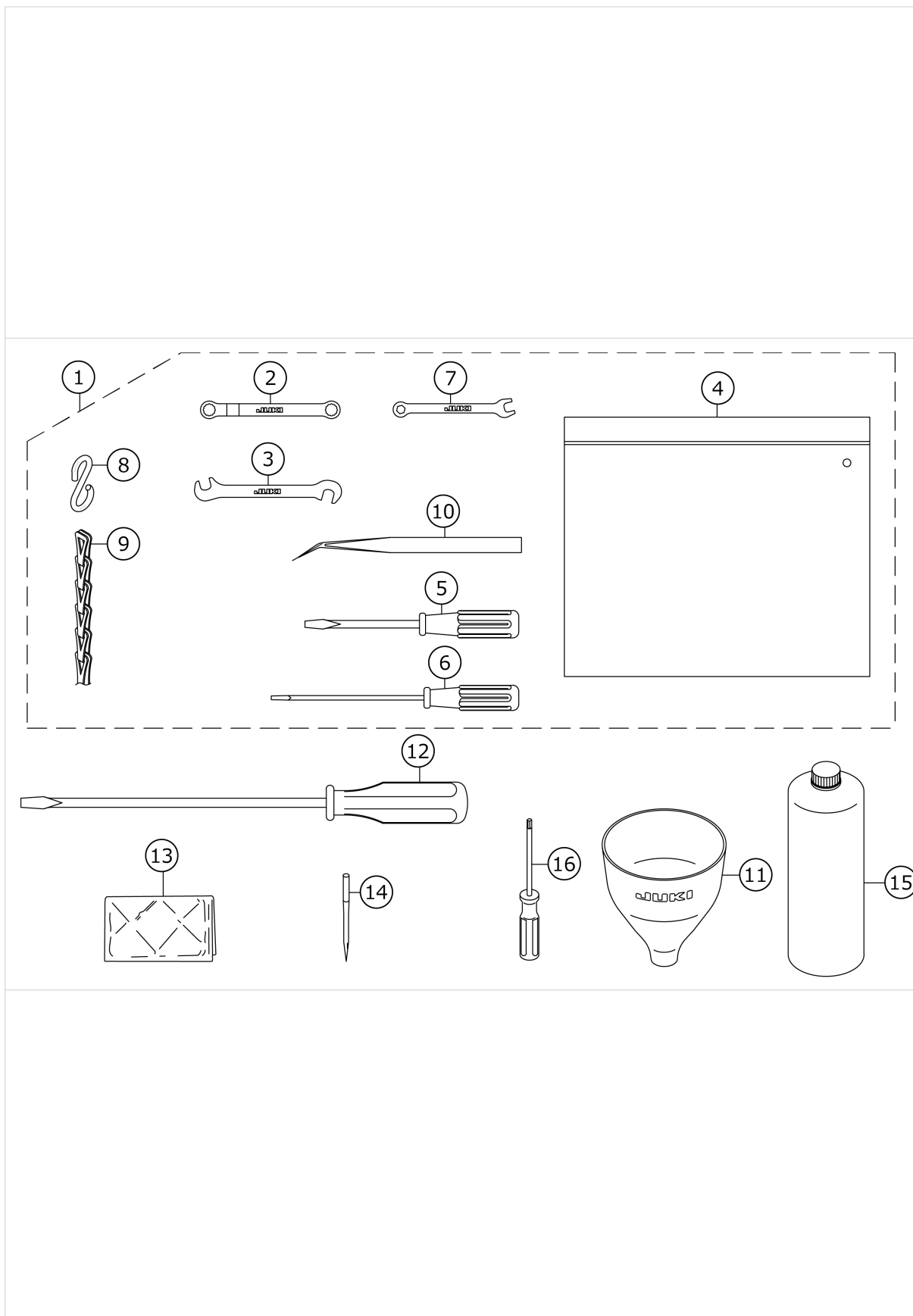
No.	品番	品名	備考	子部品	消耗品	個数
1	40106587	THREAD STAND PACKING				1.00
2	40106575	SPOOL REST LONG ARM UPPER		*		2.00
3	40085795	THREAD GUIDE BUSHING		*		4.00
4	40085794	THREAD GUIDE		*		4.00
5	40096327	SPOOL REST ARM UPPER SCREW		*		2.00
6	40106577	SPOOL REST ARM LOWER A		*		1.00
7	40106574	SPOOL REST LONG ARM LOWER		*		2.00
8	40096326	SPOOL REST ARM LOWER SCREW		*		2.00
9	40106578	SPOOL REST ARM LOWER B		*		1.00
10	40085784	SPOOL REST ROD LOWER		*		1.00
11	40096325	SPOOL REST ROD NUT		*		1.00
12	40085789	SPOOL REST CUSHION		*		4.00
13	40085796	SPOOL REST ROD RUBBER CUSHION		*		2.00
14	40085785	SPOOL REST ROD UPPER		*		1.00
15	40085793	SPOOL REST ROD RUBBER CAP		*		1.00
16	40085792	SPOOL REST ROD JOINT		*		1.00
17	40106576	THREAD GUIDE ARM		*		1.00
18	40106579	THREAD GUIDE ARM BASE		*		1.00
19	40106582	THREAD GUIDE 4		*		1.00
20	40106580	THREAD GUIDE UNDER BASE		*		1.00
21	40085788	SPOOL REST		*		4.00
22	40085790	SPOOL PIN		*		4.00
23	40085791	SPOOL RETAINER		*		4.00
24	SM4041201SC	SCREW M4 L=12		*		3.00
25	SM4051405SE	SCREW M5 L=14		*		2.00
26	SM4042501SC	SCREW M4X0.7 L=25		*		1.00
27	SM4051001SE	SCREW M5 L=10		*		2.00
28	SK3412001SE	WOOD SCREW D=4.1 L=20		*		2.00
29	NM6050001SE	NUT M5		*		12.00
30	NM6040002SC	NUT M4		*		4.00
31	WP0531001SC	WASHER M5		*		4.00
32	WP1612616SE	WASHER 16X30X2.6		*		2.00
33	WS0510002KN	SPRING WASHER M5		*		4.00

SPECIAL ORDER PARTS COMPONENTS



No.	品番	品名	備考	子部品	消耗品	個数
1	SS8080322TP	SCREW 1/8-44 L=3.2	FOR MO-6904C			1.00
2	SS8080322TP	SCREW 1/8-44 L=3.2	FOR MO-6914C			2.00
3	B9112804000	SPANNER				1.00
4	B91351230B0	SILICON OIL LUBRICANT ASM. (30CC)				1.00
5	11898103	PRESSER FOOT AUXILIARY PLATE	FOR MO-6904C			1.00
6	11965753	PEDAL ASM.				1.00
7	11965704	PEDAL		*		1.00
8	11965803	PEDAL THRUST COLLAR		*		2.00
9	SM9061203SE	SCREW M6 L=12		*		2.00
10	12226155	CLOTH BASE ASM.				1.00
11	12226163	CLOTH BASE ASM.		*		1.00
12	12226304	FITTING PLATE A		*		1.00
13	12226403	FITTING PLATE B		*		1.00
14	12226502	CLOTH BASE SPRING		*		1.00
15	11806304	PLUG		*		1.00
16	NS6110310SP	NUT 11/64-40		*		1.00
17	NS6680320SP	NUT 9/32-28		*		2.00
18	SS6111610SP	SCREW 11/64-40 L=16		*		1.00
19	SS7110840SP	SCREW 11/64-40 L=7.8		*		2.00
20	SS7090540TP	SCREW 9/64-40 L=5		*		2.00
21	SS7150910TP	SCREW 15/64-28 L=9		*		2.00
22	WP08416000E	WASHER 8.4X15.5X1.6		*		1.00
23	WZ0850302K0	WAVED WASHER 8.5X12.5X0.3		*		1.00
24	B1539804000	PRESSER FOOT FIXING PLATE				1.00
25	SS6060410TP	SCREW 3/32-56 L= 3.5				1.00
26	11598000	UPPER KNIFE SUPPORT				1.00
27	11845807	UPPER KNIFE				1.00
28	SS9111610SP	SCREW 11/64-40 L=16				1.00
29	11565504	UPPER KNIFE PRESSER PLATE				1.00
30	11565702	WASHER				1.00
31	11848405	UPPER KNIFE COVER				1.00
32	SS4060310SP	SCREW 3/32-56 L=2.5				1.00
33	SS4060310SP	SCREW 3/32-56 L=2.5				1.00
34	SS4080620TP	SCREW 1/8-44 L=6				1.00
35	40025294	SYNCHRONIZER STOPPER ASM.				1.00
36	40011755	SYNCHRONIZER TURN STOPPER ASM.	FOR SC-380			1.00
37	40011757	SYNCHRONIZER STOPPER BASE		*		1.00
38	40022255	SYNCHRONIZER STOPPER		*		1.00
39	SS5120810SP	SCREW		*		1.00
40	SS9154540SP	SCREW 15/64-28 L=45		*		1.00
41	40011758	SYNCHRONIZER BASE COLLAR		*		1.00
42	40011756	SYNCHRONIZER STOPPER	FOR SC-380	*		1.00
43	40030533	PRESSER FOOT AUXILIARY PLATE	FOR MO-6914C			1.00
44	40036778	V_BELT SLIDER				1.00

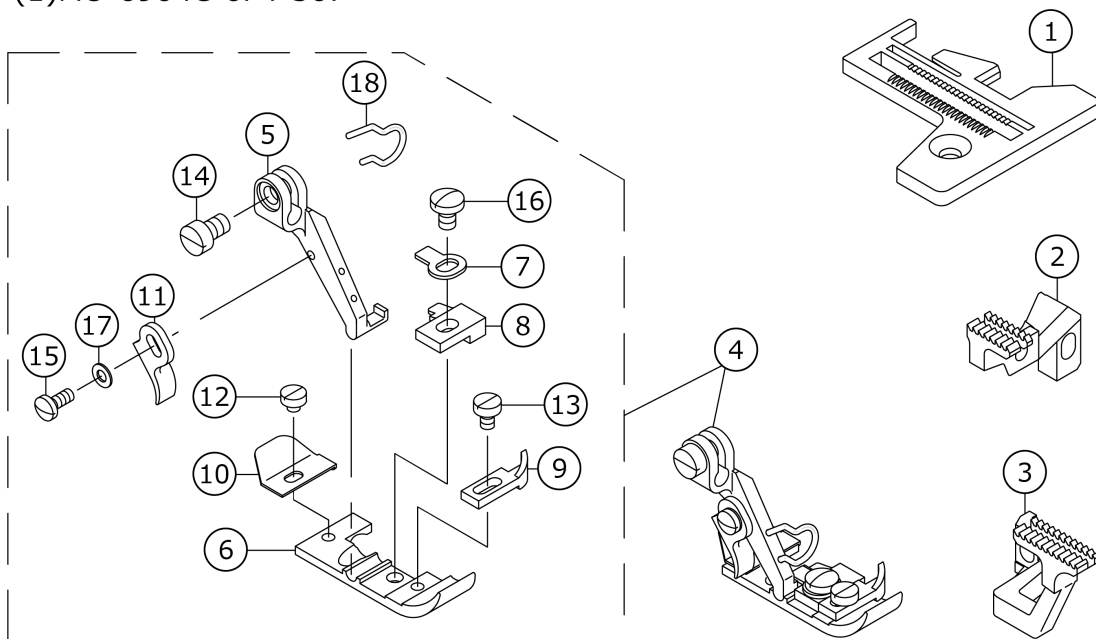
ACCESSORIES PARTS COMPONENTS



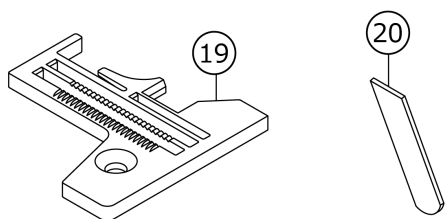
No.	品番	品名	備考	子部品	消耗品	個数
1	13160858	ACCESSORIE BAG ASM.				1.00
2	13160007	RING SPANNER		*		1.00
3	13160205	PIN SPANNER		*		1.00
4	22932800	ACCESSORIE BAG		*		1.00
5	22933105	SCREW DRIVER MIDDLE		*		1.00
6	12347308	SCREW DRIVER (SMALL)		*		1.00
7	13160106	SPANNER (5X6)		*		1.00
8	13160304	S SHAPED HOOK		*		2.00
9	13160403	CHAIN		*		1.00
10	12288403	TWEEZERS		*		1.00
11	13160601	FUNNEL				1.00
12	22933006	SCREW DRIVER LARGE				1.00
13	40048535	HEAD_COVER				1.00
14	MDC270B1104	NEEDLE DCX27 #11-4EA.				1.00
15	MML018800CB	JUKI CORPORATION GENUINE OIL 18				1.00
16	11851102	SCREW WRENCH				1.00

SUBCLASSES

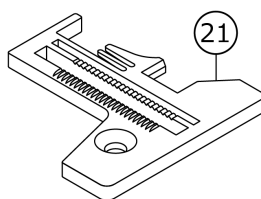
(1)MO-6904C-0F4-307



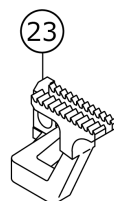
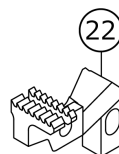
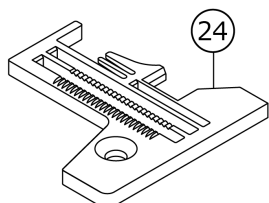
(2)MO-6904C-0D6-307



(3)MO-6914C-BD4-307



(4)MO-6914C-BD6-307



No.	品番	品名	備考	子部品	消耗品	個数
1	R4200K6FD00	THROAT PLATE				1.00
2	12235107	MAIN FEED DOG				1.00
3	12236600	DIFFERENTIAL FEED DOG				1.00
4	12230462	PRESSER FOOT ASM.				1.00
5	11872009	PRESSER FOOT HINGE		*		1.00
6	12232104	PRESSER FOOT		*		1.00
7	B150880400B	SPRING		*		1.00
8	B1509804C0A	STITCH TONGUE		*		1.00
9	B1510814000	CURL GUARD		*		1.00
10	B1511814000	REAR PRESSER FOOT		*		1.00
11	B1530804000	STOPPER		*		1.00
12	SS6060210SP	SCREW 3/32-56 L=1.9		*		1.00
13	SS6060440TP	SCREW 3/32-56 L=3.5		*		1.00
14	SS6090670TP	SCREW 9/64-40 L=6		*		1.00
15	SS7060610SP	SCREW 3/32-56 L=5.5		*		1.00
16	SS7080520SP	SCREW 1/8-44 L=4.9		*		1.00
17	WP0250516SD	WASHER 2.5X6X0.5		*		1.00
18	13178306	FINGER GUARD		*		1.00
19	R4300K6DE00	THROAT PLATE				1.00
20	12220406	LOWER KNIFE				1.00
21	R4205K6DD00	THROAT PLATE				1.00
22	12235107	MAIN FEED DOG				1.00
23	12236600	DIFFERENTIAL FEED DOG				1.00
24	R4305K6DE00	THROAT PLATE				1.00

HOW TO MAKE USE OF THIS PARTS LIST

1.Explanation of codes

1)"*"mark.....means this part is changed from the previous parts book.

As to the details of the change, refer to the "List for information of change".

2)"#01".....refer to "Note" explanation at bottom of page.

2.Codes on the "Qty" column

· Each numeral indicates the number of parts required.

· "0.1" and "2.5" indicate the length (in meters) of the respective parts.

3.Parentheses mean that the corresponding part is a subpart that constructs an assembly part.

4.Dotted lines on the Figures indicate assembly parts.

1."注記"欄の記号説明

1) "*"印.....前回のパーツブックに比較して今回変更された部品を意味します。

変更内容は、"変更情報リスト"を参照してください。

2) "#01".....ページ下の"注記"の説明を参照してください。

2.数量欄の数字は、個数を表し、0.1、2.5等の数値は、長さ（単位メートル）を表します。

3.数量欄の（ ）は、組部品を構成している子部品であることを意味します。

4.イラストページの-----枠は、組構成であることを意味します。